

**Simulink®**

# Modeling Guidelines for High-Integrity Systems

**R2012b**

**MATLAB®  
& SIMULINK®**

## How to Contact MathWorks



[www.mathworks.com](http://www.mathworks.com) Web  
[comp.soft-sys.matlab](mailto:comp.soft-sys.matlab) Newsgroup  
[www.mathworks.com/contact\\_TS.html](http://www.mathworks.com/contact_TS.html) Technical Support



[suggest@mathworks.com](mailto:suggest@mathworks.com) Product enhancement suggestions  
[bugs@mathworks.com](mailto:bugs@mathworks.com) Bug reports  
[doc@mathworks.com](mailto:doc@mathworks.com) Documentation error reports  
[service@mathworks.com](mailto:service@mathworks.com) Order status, license renewals, passcodes  
[info@mathworks.com](mailto:info@mathworks.com) Sales, pricing, and general information



508-647-7000 (Phone)



508-647-7001 (Fax)



The MathWorks, Inc.  
3 Apple Hill Drive  
Natick, MA 01760-2098

For contact information about worldwide offices, see the MathWorks Web site.

### *Modeling Guidelines for High-Integrity Systems*

© COPYRIGHT 2009–2012 by The MathWorks, Inc.

The software described in this document is furnished under a license agreement. The software may be used or copied only under the terms of the license agreement. No part of this manual may be photocopied or reproduced in any form without prior written consent from The MathWorks, Inc.

FEDERAL ACQUISITION: This provision applies to all acquisitions of the Program and Documentation by, for, or through the federal government of the United States. By accepting delivery of the Program or Documentation, the government hereby agrees that this software or documentation qualifies as commercial computer software or commercial computer software documentation as such terms are used or defined in FAR 12.212, DFARS Part 227.72, and DFARS 252.227-7014. Accordingly, the terms and conditions of this Agreement and only those rights specified in this Agreement, shall pertain to and govern the use, modification, reproduction, release, performance, display, and disclosure of the Program and Documentation by the federal government (or other entity acquiring for or through the federal government) and shall supersede any conflicting contractual terms or conditions. If this License fails to meet the government's needs or is inconsistent in any respect with federal procurement law, the government agrees to return the Program and Documentation, unused, to The MathWorks, Inc.

### **Trademarks**

MATLAB and Simulink are registered trademarks of The MathWorks, Inc. See [www.mathworks.com/trademarks](http://www.mathworks.com/trademarks) for a list of additional trademarks. Other product or brand names may be trademarks or registered trademarks of their respective holders.

### **Patents**

MathWorks products are protected by one or more U.S. patents. Please see [www.mathworks.com/patents](http://www.mathworks.com/patents) for more information.

**Revision History**

September 2009 Online only  
April 2010 Online only  
September 2010 Online only  
April 2011 Online only  
September 2011 Online only  
March 2012 Online only  
September 2012 Online only

New for Version 1.0 (Release 2009b)  
Revised for Version 1.1 (Release 2010a)  
Revised for Version 1.2 (Release 2010b)  
Revised for Version 1.3 (Release 2011a)  
Revised for Version 1.4 (Release 2011b)  
Revised for Version 1.5 (Release 2012a)  
Revised for Version 1.6 (Release 2012b)



## Introduction

1

Motivation .....	1-2
------------------	-----

## Block Considerations

2

<b>Math Operations</b> .....	2-2
hisl_0001: Usage of Abs block .....	2-3
hisl_0002: Usage of Math Function blocks (remainder and reciprocal) .....	2-5
hisl_0003: Usage of Square Root blocks .....	2-7
hisl_0004: Usage of Math Function blocks (natural logarithm and base 10 logarithm) .....	2-9
hisl_0005: Usage of Product blocks .....	2-12
<b>Ports &amp; Subsystems</b> .....	2-13
hisl_0006: Usage of While Iterator blocks .....	2-14
hisl_0007: Usage of While Iterator subsystems .....	2-16
hisl_0008: Usage of For Iterator Blocks .....	2-19
hisl_0009: Usage of For Iterator Subsystem blocks .....	2-21
hisl_0010: Usage of If blocks and If Action Subsystem blocks .....	2-22
hisl_0011: Usage of Switch Case blocks and Action Subsystem blocks .....	2-25
hisl_0012: Usage of conditionally executed subsystems ...	2-27
<b>Signal Routing</b> .....	2-29
hisl_0013: Usage of data store blocks .....	2-30
hisl_0015: Usage of Merge blocks .....	2-33
hisl_0021: Consistent vector indexing method .....	2-35
hisl_0022: Data type selection for index signals .....	2-36
hisl_0023: Verification of model and subsystem variants ..	2-37

<b>Logic and Bit Operations</b> .....	<b>2-38</b>
hisl_0016: Usage of blocks that compute relational operators .....	<b>2-39</b>
hisl_0017: Usage of blocks that compute relational operators (2) .....	<b>2-41</b>
hisl_0018: Usage of Logical Operator block .....	<b>2-42</b>
hisl_0019: Usage of Bitwise Operator block .....	<b>2-43</b>

## Configuration Parameter Considerations

---

# 3

<b>Solver</b> .....	<b>3-2</b>
hisl_0040: Configuration Parameters > Solver > Simulation time .....	<b>3-3</b>
hisl_0041: Configuration Parameters > Solver > Solver options .....	<b>3-4</b>
hisl_0042: Configuration Parameters > Solver > Tasking and sample time options .....	<b>3-5</b>
 <b>Diagnostics</b> .....	 <b>3-7</b>
hisl_0043: Configuration Parameters > Diagnostics > Solver .....	<b>3-8</b>
hisl_0044: Configuration Parameters > Diagnostics > Sample Time .....	<b>3-10</b>
hisl_0301: Configuration Parameters > Diagnostics > Compatibility .....	<b>3-13</b>
hisl_0302: Configuration Parameters > Diagnostics > Data Validity > Parameters .....	<b>3-14</b>
hisl_0303: Configuration Parameters > Diagnostics > Data Validity > Merge block .....	<b>3-15</b>
hisl_0304: Configuration Parameters > Diagnostics > Data Validity > Model Initialization .....	<b>3-16</b>
hisl_0305: Configuration Parameters > Diagnostics > Data Validity > Debugging .....	<b>3-17</b>
hisl_0306: Configuration Parameters > Diagnostics > Connectivity > Signals .....	<b>3-18</b>
hisl_0307: Configuration Parameters > Diagnostics > Connectivity > Buses .....	<b>3-19</b>
hisl_0308: Configuration Parameters > Diagnostics > Connectivity > Function calls .....	<b>3-20</b>

hisl_0309: Configuration Parameters > Diagnostics > Type Conversion .....	3-21
hisl_0310: Configuration Parameters > Diagnostics > Model Referencing .....	3-22
hisl_0311: Configuration Parameters > Diagnostics > Stateflow .....	3-23
<b>Optimizations</b> .....	<b>3-24</b>
hisl_0045: Configuration Parameters > Optimization > Implement logic signals as Boolean data (vs. double) ..	3-25
hisl_0046: Configuration Parameters > Optimization > Block reduction .....	3-26
hisl_0048: Configuration Parameters > Optimization > Application lifespan (days) .....	3-27
hisl_0051: Configuration Parameters > Optimization > Signals and Parameters > Loop unrolling threshold ...	3-28
hisl_0052: Configuration Parameters > Optimization > Data initialization .....	3-29
hisl_0053: Configuration Parameters > Optimization > Remove code from floating-point to integer conversions that wraps out-of-range values .....	3-30
hisl_0054: Configuration Parameters > Optimization > Remove code that protects against division arithmetic exceptions .....	3-31
hisl_0055: Prioritization of code generation objectives for high-integrity systems .....	3-32

## Stateflow Chart Considerations

# 4

<b>Chart Properties</b> .....	<b>4-2</b>
hisf_0001: Mealy and Moore semantics .....	4-3
hisf_0002: User-specified state/transition execution order .....	4-5
hisf_0009: Strong data typing (Simulink and Stateflow boundary) .....	4-7
hisf_0011: Stateflow debugging settings .....	4-9
<b>Chart Architecture</b> .....	<b>4-11</b>
hisf_0003: Usage of bitwise operations .....	4-12

hisf_0004: Usage of recursive behavior .....	4-13
hisf_0007: Usage of junction conditions (maintaining mutual exclusion) .....	4-15
hisf_0010: Usage of transition paths (looping out of parent of source and destination objects) .....	4-16
hisf_0012: Chart comments .....	4-18
hisf_0013: Usage of transition paths (crossing parallel state boundaries) .....	4-19
hisf_0014: Usage of transition paths (passing through states) .....	4-21
hisf_0015: Strong data typing (casting variables and parameters in expressions) .....	4-22

## MISRA-C:2004 Compliance Considerations

# 5

<b>Modeling Style</b> .....	5-2
hisl_0061: Unique identifiers for clarity .....	5-3
hisl_0062: Global variables in graphical functions .....	5-5
hisl_0063: Length of user-defined function names to improve MISRA-C:2004 compliance .....	5-8
hisl_0064: Length of user-defined type object names to improve MISRA-C:2004 compliance .....	5-9
hisl_0065: Length of signal and parameter names to improve MISRA-C:2004 compliance .....	5-10
hisl_0201: Define reserved keywords to improve MISRA-C:2004 compliance .....	5-11
hisl_0202: Use of data conversion blocks to improve MISRA-C:2004 compliance .....	5-12
<b>Block Usage</b> .....	5-16
hisl_0020: Blocks not recommended for MISRA-C:2004 compliance .....	5-16
hisl_0101: Avoid invariant comparison operations to improve MISRA-C:2004 compliance .....	5-17
hisl_0102: Data type of loop control variables to improve MISRA-C:2004 compliance .....	5-20
<b>Configuration Settings</b> .....	5-21



hisl_0060: Configuration parameters that improve MISRA-C:2004 compliance .....	5-21
hisl_0312: Specify target specific configuration parameters to improve MISRA-C:2004 compliance .....	5-23
hisl_0313: Selection of bitfield data types to improve MISRA-C:2004 compliance .....	5-25
<b>Stateflow Chart Considerations</b> .....	<b>5-26</b>
hisf_0064: Shift operations for Stateflow data to improve MISRA-C:2004 compliance .....	5-27
hisf_0065: Type cast operations in Stateflow to improve MISRA-C:2004 compliance .....	5-28
hisf_0211: Protect against use of unary operators in Stateflow Charts to improve MISRA-C:2004 compliance .....	5-30
hisf_0212: Data type of Stateflow for loop control variables to improve MISRA-C: 2004 compliance .....	5-32
hisf_0213: Protect against divide-by-zero calculations in Stateflow charts to improve MISRA-C: 2004 compliance .....	5-33
<b>System Level</b> .....	<b>5-36</b>
hisl_0401: Encapsulation of code to improve MISRA-C:2004 compliance .....	5-36
hisl_0402: Use of custom #pragma to improve MISRA-C:2004 compliance .....	5-37
hisl_0403: Use of char data type improve MISRA-C:2004 compliance .....	5-38



# Introduction

---

## Motivation

MathWorks® intends this document for engineers developing models and generating code for high-integrity systems using Model-Based Design with MathWorks products. This document describes creating Simulink® models that are complete, unambiguous, statically deterministic, robust, and verifiable. The document focus is on model settings, block usage, and block parameters that impact simulation behavior or code generated by the Embedded Coder™ product.

These guidelines do not assume that you use a particular safety or certification standard. The guidelines reference some safety standards where applicable, including DO-178, IEC 61508, ISO 26262, and MISRA C®.

You can use the Model Advisor to support adhering to these guidelines. Each guideline lists the checks that are applicable to that guideline, or to parts of that guideline.

This document does not address model style or development processes. For more information about creating models in a way that improves consistency, clarity, and readability, see the “MAAB Control Algorithm Modeling”. Development process guidance and additional information for specific standards is available with the IEC Certification Kit (for IEC 61508 and ISO 26262) and DO Qualification Kit (for DO-178 and DO-254) products.

---

**Disclaimer** While adhering to the recommendations in this document will reduce the risk that an error is introduced during development and not be detected, it is not a guarantee that the system being developed will be safe. Conversely, if some of the recommendations in this document are not followed, it does not mean that the system being developed will be unsafe.

---

# Block Considerations

---

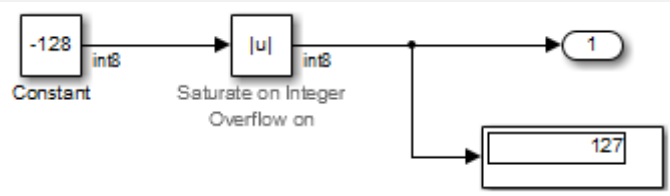
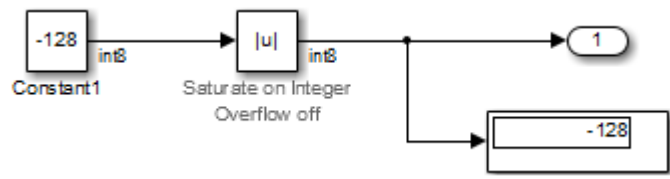
- “Math Operations” on page 2-2
- “Ports & Subsystems” on page 2-13
- “Signal Routing” on page 2-29
- “Logic and Bit Operations” on page 2-38

## Math Operations

In this section...
“hisl_0001: Usage of Abs block” on page 2-3
“hisl_0002: Usage of Math Function blocks (remainder and reciprocal)” on page 2-5
“hisl_0003: Usage of Square Root blocks” on page 2-7
“hisl_0004: Usage of Math Function blocks (natural logarithm and base 10 logarithm)” on page 2-9
“hisl_0005: Usage of Product blocks” on page 2-12

## hisl\_0001: Usage of Abs block

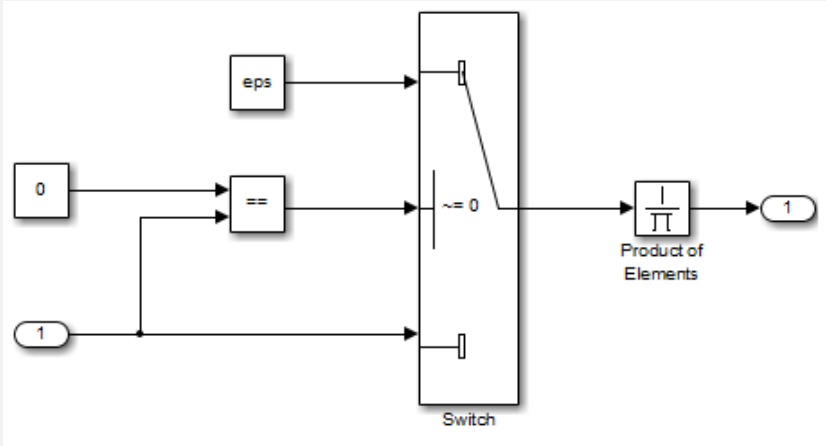
ID: Title	<b>hisl_0001: Usage of Abs block</b>	
Description	To support robustness of generated code, when using the Abs block,	
	A	Avoid Boolean and unsigned integer data types as inputs to the Abs block.
	B	In the Abs block parameter dialog box, select <b>Saturate on integer overflow</b> .
Notes	<p>The Abs block does not support Boolean data types. Specifying an unsigned input data type, might optimize the Abs block out of the generated code, resulting in a block you cannot trace to the generated code.</p> <p>For signed data types, Simulink does not represent the absolute value of the most negative value. When you select <b>Saturate on integer overflow</b>, the absolute value of the data type saturates to the most positive representable value. When you clear <b>Saturate on integer overflow</b>, absolute value calculations in the simulation and generated code might not be consistent or expected.</p>	
Rationale	A	Support generation of traceable code.
	B	Achieve consistent and expected behavior of model simulation and generated code.
Model Advisor Checks	<ul style="list-style-type: none"> <li>• <b>By Task &gt; Modeling Standards for DO-178C/DO-331 &gt; “Check usage of Math Operations blocks”</b></li> <li>• <b>By Task &gt; Modeling Standards for IEC-61508 &gt; “Check usage of Math Operations blocks”</b></li> <li>• <b>By Task &gt; Modeling Standards for ISO-26262 &gt; “Check usage of Math Operations blocks”</b></li> </ul>	

ID: Title	hisl_0001: Usage of Abs block
References	<ul style="list-style-type: none"> <li>• IEC 61508-3, Table A.3 (3) 'Language subset'</li> <li>• IEC 61508-3, Table A.4 (3) 'Defensive programming'</li> <li>• IEC 61508-3, Table A.3 (2) 'Strongly typed programming language'</li> <li>• IEC 61508-3, Table B.8 (3) 'Control Flow Analysis'</li> <li>• ISO 26262-6, Table 1 (b) 'Use of language subsets'</li> <li>• ISO 26262-6, Table 1 (d) 'Use of defensive implementation techniques'</li> <li>• ISO 26262-6, Table 7 (f) 'Control flow analysis'</li> <li>• DO-331, Section MB.6.3.2.d 'Low-level requirements are verifiable'</li> <li>• MISRA-C:2004, Rule 14.1</li> <li>• MISRA-C:2004, Rule 21.1</li> </ul>
Last Changed	R2012b
Examples	 <p><b>Recommended</b></p>  <p><b>Not Recommended</b></p>



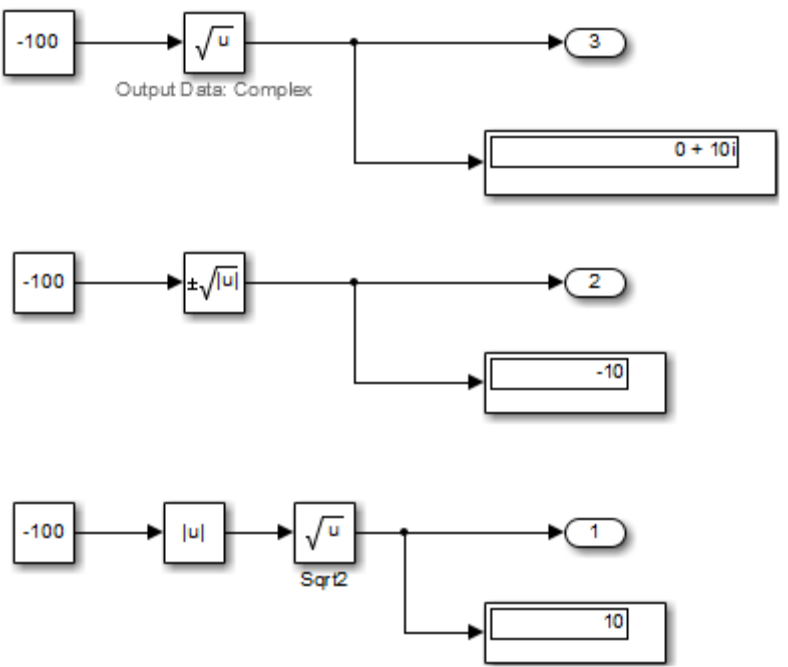
## hisl\_0002: Usage of Math Function blocks (remainder and reciprocal)

ID: Title	hisl_0002: Usage of Math Function blocks (remainder and reciprocal)	
Description	To support robustness of generated code, when using the Math Function block with remainder-after-division (rem) or array-reciprocal (reciprocal) functions,	
	A	Protect the input of the reciprocal function from going to zero.
	B	Protect the second input of the rem function from going to zero.
Note	You might get a divide-by-zero operation, resulting in an infinite (Inf) output value. To avoid overflows, protect the corresponding input from going to zero.	
Rationale	A, B	Protect against overflows.
Model Advisor Checks	<b>By Task &gt; Modeling Standards for DO-178C/DO-331 &gt; “Check usage of Math blocks”</b>	
References	<ul style="list-style-type: none"> <li>• IEC 61508-3, Table A.3 (3) 'Language subset'</li> <li>• IEC 61508-3, Table A.4 (3) 'Defensive programming'</li> <li>• ISO 26262-6, Table 1(b) 'Use of language subsets'</li> <li>• ISO 26262-6, Table 1(d) 'Use of defensive implementation techniques'</li> <li>• DO-331, Section MB.6.3.2.g 'Algorithms are accurate'</li> <li>• MISRA-C:2004, Rule 21.1</li> </ul>	

<b>ID: Title</b>	<b>hisl_0002: Usage of Math Function blocks (remainder and reciprocal)</b>
Last Changed	R2012b
Examples	<p>In the following example, when the input signal oscillates around zero, the output exhibits a large change in value. You need further protection against the large change in value.</p>  <p>The diagram illustrates a control logic sequence. It starts with a constant '0' block feeding into an equality comparison block ('=='). The output of this block is connected to the top input of a 'Switch' block. A second input to the 'Switch' block is a constant '1' block. The 'Switch' block is controlled by an 'eps' block and has a condition '~= 0'. The output of the switch is connected to a 'Product of Elements' block, which is labeled with the mathematical expression <math>\frac{1}{II}</math>. The final output of this block is a constant '1' block.</p>

## hisl\_0003: Usage of Square Root blocks

ID: Title	hisl_0003: Usage of Square Root blocks	
Description	To support robustness of generated code, when using the square root block do one of the following:	
	A	Account for complex numbers as the output.
	B	Account for negative values as the block output.
	C	Protect the input from going negative.
Notes	For negative input, the square root function takes the absolute value of the input and performs the square root operation. The square root function sets the sign of the output to negative, which might lead to undesirable results in the generated code.	
Rationale	A, B, C	Avoid undesirable results in generated code.
References	<ul style="list-style-type: none"> <li>• IEC 61508-3, Table A.3 (3) 'Language subset'</li> <li>• IEC 61508-3, Table A.4 (3) 'Defensive programming'</li> <li>• ISO 26262-6, Table 1(b) 'Use of language subsets'</li> <li>• ISO 26262-6, Table 1(d) 'Use of defensive implementation techniques'</li> <li>• DO-331, Section MB.6.3.2.g 'Algorithms are accurate'</li> </ul>	

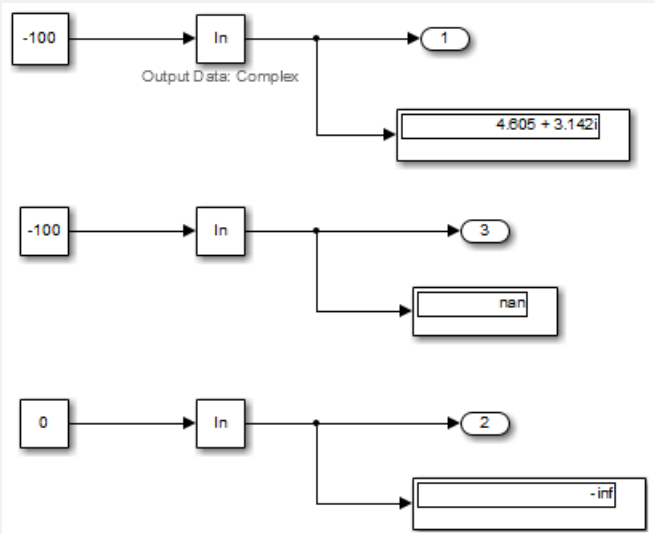
ID: Title	hisl_0003: Usage of Square Root blocks
Last Changed	R2012b
Examples	 <p>The figure illustrates three different ways to handle the square root of a negative number in a Simulink model:</p> <ul style="list-style-type: none"> <li><b>Top Diagram:</b> A block labeled <math>\sqrt{u}</math> with the text "Output Data: Complex" below it. An input of -100 is processed to produce a magnitude of 10 and a phase of 180 degrees, represented as <math>0 + 10i</math>.</li> <li><b>Middle Diagram:</b> A block labeled <math>\pm\sqrt{ u }</math>. An input of -100 is processed to produce a magnitude of 10 and a phase of 180 degrees, represented as -10.</li> <li><b>Bottom Diagram:</b> A block labeled <math>\sqrt{u}</math> with "Sqrt2" below it. The input -100 first passes through an absolute value block <math> u </math>. The resulting magnitude of 10 and phase of 0 degrees is shown as 10.</li> </ul>

## hisl\_0004: Usage of Math Function blocks (natural logarithm and base 10 logarithm)

ID: Title	<b>hisl_0004: Usage of Math Function blocks (natural logarithm and base 10 logarithm)</b>	
Description	To support robustness of generated code, when using the Math Function block with natural logarithm (log) or base 10 logarithm (log10) function parameters,	
	A	Protect the input from going negative.
	B	Protect the input from equaling zero.
	C	Account for complex numbers as the output value.
Notes	If you set the output data type to complex, the natural logarithm and base 10 logarithm functions output complex values for negative input values. If you set the output data type to real, the functions output NAN for negative numbers, and minus infinity (-inf) for zero values.	
Rationale	A, B, C	Support generation of robust code.
Model Advisor Checks	<b>By Task &gt; Modeling Standards for DO-178C/DO-331 Checks &gt; “Check usage of Math blocks”</b>	
References	<ul style="list-style-type: none"> <li>• IEC 61508-3, Table A.3 (3) 'Language subset'</li> <li>• IEC 61508-3, Table A.4 (3) 'Defensive programming'</li> <li>• ISO 26262-6, Table 1(b) 'Use of language subsets'</li> <li>• ISO 26262-6, Table 1(d) 'Use of defensive implementation techniques'</li> <li>• DO-331, Section MB.6.3.2.g 'Algorithms are accurate'</li> </ul>	
Last Changed	R2012b	

**ID: Title** hisl\_0004: Usage of Math Function blocks (natural logarithm and base 10 logarithm)

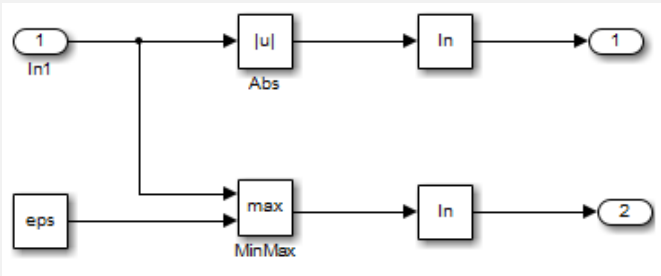
Examples



You can protect against:

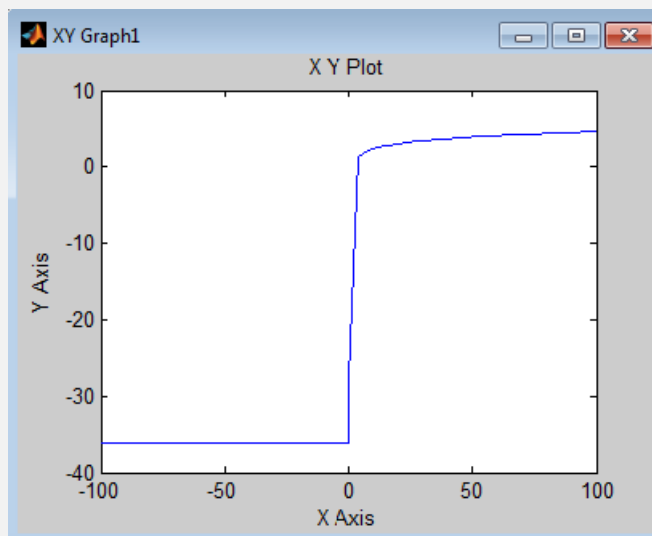
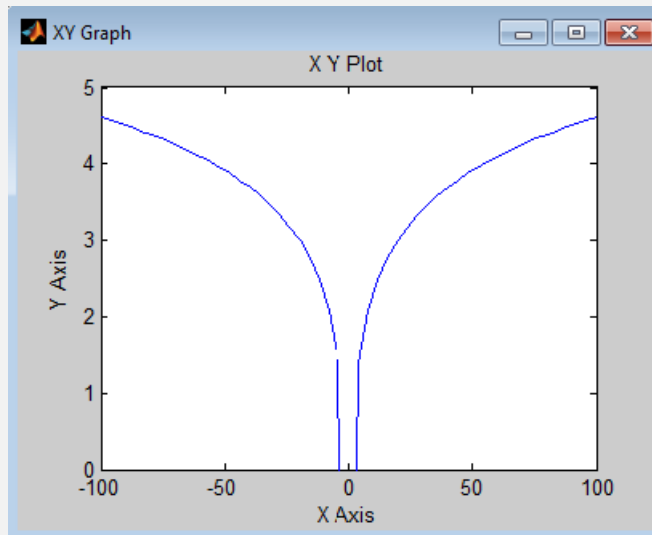
- Negative numbers using an Abs block.
- Zero values using a combination of the MinMax block and a Constant block, with **Constant value** set to eps (epsilon).

The following example displays the resulting output for input values ranging from -100 to 100.



ID: Title

hisl\_0004: Usage of Math Function blocks (natural logarithm and base 10 logarithm)



## hisl\_0005: Usage of Product blocks

ID: Title	hisl_0005: Usage of Product blocks	
Description	To support robustness of generated code, when using the Product block with divisor inputs,	
	A	In <code>Element-wise(.*)</code> mode, protect divisor inputs from going to zero.
	B	In <code>Matrix(*)</code> mode, protect divisor inputs from becoming singular input matrices.
	C	Set the model configuration parameter <b>Diagnostics &gt; Data Validity &gt; Signals &gt; Division by singular matrix</b> to error.
Notes	<p>When using Product blocks for element-wise divisions, you might get a divide by zero, resulting in a NaN output. To avoid overflows, protect divisor inputs from going to zero.</p> <p>When using Product blocks to compute the inverse of a matrix, or a matrix division, you might get a divide by a singular matrix. This division results in a NaN output. To avoid overflows, protect divisor inputs from becoming singular input matrices.</p> <p>During simulation, while the software inverts one of the input values of a Product block that is in matrix multiplication mode, the <b>Division by singular matrix</b> diagnostic can detect a singular matrix.</p>	
Rationale	A, B, C	Protect against overflows.
Model Advisor Checks	<b>By Task &gt; Modeling Standards for DO-178C/DO-331 &gt; “Check safety-related diagnostic settings for signal data”</b>	
References	<ul style="list-style-type: none"> <li>• IEC 61508-3, Table A.3 (3) 'Language subset'</li> <li>• IEC 61508-3, Table A.4 (3) 'Defensive programming'</li> <li>• ISO 26262-6, Table 1(b) 'Use of language subsets'</li> <li>• ISO 26262-6, Table 1(d) 'Use of defensive implementation techniques'</li> <li>• DO-331, Section MB.6.4.2.2 'Robustness Test Cases'</li> <li>• DO-331, Section MB.6.4.3 'Requirements-Based Testing Methods'</li> <li>• MISRA-C:2004, Rule 21.1</li> </ul>	
Last Changed	R2012b	



## Ports & Subsystems

In this section...
“hisl_0006: Usage of While Iterator blocks” on page 2-14
“hisl_0007: Usage of While Iterator subsystems” on page 2-16
“hisl_0008: Usage of For Iterator Blocks” on page 2-19
“hisl_0009: Usage of For Iterator Subsystem blocks” on page 2-21
“hisl_0010: Usage of If blocks and If Action Subsystem blocks” on page 2-22
“hisl_0011: Usage of Switch Case blocks and Action Subsystem blocks” on page 2-25
“hisl_0012: Usage of conditionally executed subsystems” on page 2-27

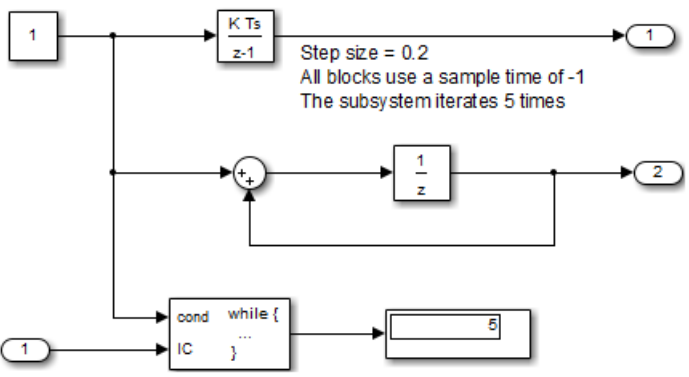
## hisl\_0006: Usage of While Iterator blocks

ID: Title	hisl_0006: Usage of While Iterator blocks	
Description	To support bounded iterative behavior in the generated code when using the While Iterator block, in the While Iterator block parameters dialog box:	
	A	Set <b>Maximum number of iterations</b> to a positive integer value; do not set value to $-1$ for unlimited.
	B	Consider selecting <b>Show iteration number port</b> to observe the iteration value during simulation.
Note	<p>When you use While Iterator subsystems, set the maximum number of iterations. If you use an unlimited number of iterations, the generated code might include infinite loops, which lead to execution-time overruns.</p> <p>To observe the iteration value during simulation and determine whether the loop reaches the maximum number of iterations, select the While Iterator block parameter <b>Show iteration number port</b>. If the loop reaches the maximum number of iterations, verify the output values of the While Iterator block.</p>	
Rationale	A, B	Support bounded iterative in the generated code.
Model Advisor Checks	<ul style="list-style-type: none"> <li>• <b>By Task &gt; Modeling Standards for IEC 61508 &gt; “Check usage of Ports and Subsystems blocks”</b></li> <li>• <b>By Task &gt; Modeling Standards for ISO 26262 &gt; “Check usage of Ports and Subsystems blocks”</b></li> <li>• <b>By Task &gt; Modeling Standards for DO-178C/DO-331 &gt; “Check usage of Ports and Subsystems blocks”</b></li> </ul>	

<b>ID: Title</b>	<b>hisl_0006: Usage of While Iterator blocks</b>
References	<ul style="list-style-type: none"><li>• IEC 61508-3, Table A.3 (3) 'Language subset'</li><li>• IEC 61508-3, Table A.4 (3) 'Defensive programming'</li><li>• ISO 26262-6, Table 1 (b) 'Use of language subsets'</li><li>• ISO 26262-6, Table 1 (d) 'Use of defensive implementation techniques'</li><li>• DO-331, Section MB.6.3.1.e 'High-level requirements conform to standards'</li><li>• DO-331, Section MB.6.3.2.e 'Low-level requirements conform to standards'</li><li>• MISRA-C:2004, Rule 21.1</li></ul>
Last Changed	R2012b

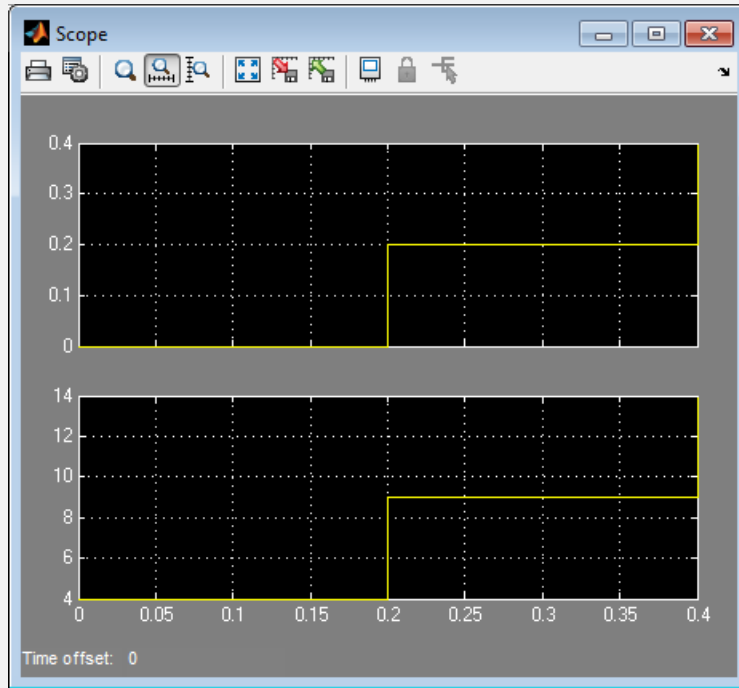
## hisl\_0007: Usage of While Iterator subsystems

ID: Title	hisl_0007: Usage of While Iterator subsystems	
Description	To support unambiguous behavior, when using While Iterator subsystems,	
	A	Specify inherited (-1) or constant (inf) sample times for the blocks within the subsystems.
	B	Avoid using sample time-dependent blocks, such as integrators, filters, and transfer functions, within the subsystems.
Rationale	A, B	Avoid ambiguous behavior from the subsystem.
Model Advisor Checks	<ul style="list-style-type: none"> <li>• <b>By Task &gt; Modeling Standards for IEC 61508 &gt; “Check usage of Ports and Subsystems blocks”</b></li> <li>• <b>By Task &gt; Modeling Standards for ISO 26262 &gt; “Check usage of Ports and Subsystems blocks”</b></li> <li>• <b>By Task &gt; Modeling Standards for DO-178C/DO-331 &gt; “Check usage of Ports and Subsystems blocks”</b></li> </ul>	
References	<ul style="list-style-type: none"> <li>• IEC 61508-3, Table A.3 (3) 'Language subset'</li> <li>• IEC 61508-3, Table A.4 (3) 'Defensive programming'</li> <li>• ISO 26262-6, Table 1 (b) 'Use of language subsets'</li> <li>• ISO 26262-6, Table 1 (d) 'Use of defensive implementation techniques'</li> <li>• DO-331, Section MB.6.3.1.e 'High-level requirements conform to standards'</li> <li>• DO-331, Section MB.6.3.2.e 'Low-level requirements conform to standards'</li> <li>• MISRA-C:2004, Rule 21.1</li> </ul>	

ID: Title	hisl_0007: Usage of While Iterator subsystems
Last Changed	R2012b
Examples	<p>For iterative subsystems, the value <code>delta T</code> is nonzero for the first iteration only. For subsequent iterations, the value is zero.</p> <p>In the following example, in the output of the Sum block calculation that uses the unit delay, the Sum block calculation does not require <code>delta T</code>. The output of the Discrete-Time Integrator block displays the result of having a zero <code>delta T</code> value.</p> 

ID: Title

hisl\_0007: Usage of While Iterator subsystems



## hisl\_0008: Usage of For Iterator Blocks

ID: Title	hisl_0008: Usage of For Iterator blocks	
Description	To support bounded iterative behavior in the generated code when using the For Iterator block, do one of the following:	
	A	In the For Iterator block parameters dialog box, set <b>Iteration limit source</b> to <b>internal</b> .
	B	If <b>Iteration limit source</b> must be <b>external</b> , use a block that has a constant value, such as a Width, Probe, or Constant.
	C	In the For Iterator block parameters dialog box, clear <b>Set next i (iteration variable) externally</b> .
	D	In the For Iterator block parameters dialog box, consider selecting <b>Show iteration variable</b> to observe the iteration value during simulation.
Notes	When you use the For Iterator block, feed the loop control variable with fixed (nonvariable) values to get a predictable number of loop iterations. Otherwise, a loop can result in unpredictable execution times and, in the case of external iteration variables, infinite loops that can lead to execution-time overruns.	
Rationale	A, B, C, D	Support bounded iterative behavior in generated code.
Model Advisor Checks	<ul style="list-style-type: none"> <li>• <b>By Task &gt; Modeling Standards for IEC 61508 &gt; “Check usage of Ports and Subsystems blocks”</b></li> <li>• <b>By Task &gt; Modeling Standards for ISO 26262 &gt; “Check usage of Ports and Subsystems blocks”</b></li> <li>• <b>By Task &gt; Modeling Standards for DO-178C/DO-331 &gt; “Check usage of Ports and Subsystems blocks”</b></li> </ul>	

<b>ID: Title</b>	<b>hisl_0008: Usage of For Iterator blocks</b>
References	<ul style="list-style-type: none"><li>• IEC 61508-3, Table A.3 (3) 'Language subset'</li><li>• IEC 61508-3, Table A.4 (3) 'Defensive programming'</li><li>• ISO 26262-6, Table 1 (b) 'Use of language subsets'</li><li>• ISO 26262-6, Table 1 (d) 'Use of defensive implementation techniques'</li><li>• DO-331, MB.Section 6.3.1.e 'High-level requirements conform to standards'</li><li>• DO-331, Section MB.6.3.2.e 'Low-level requirements conform to standards'</li><li>• MISRA-C:2004, Rule 13.6</li></ul>
Last Changed	R2012b

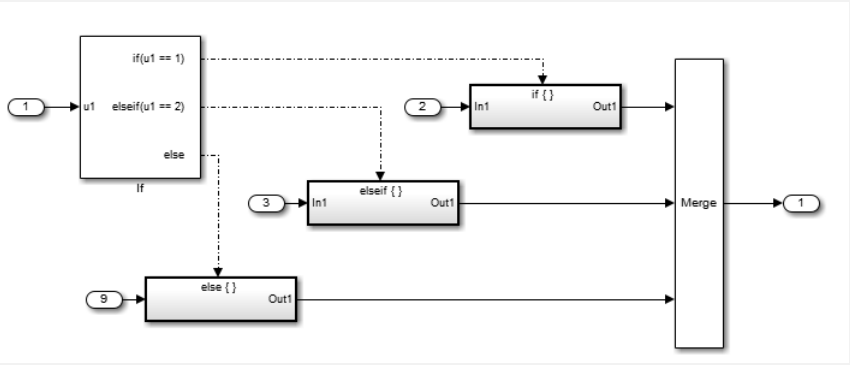
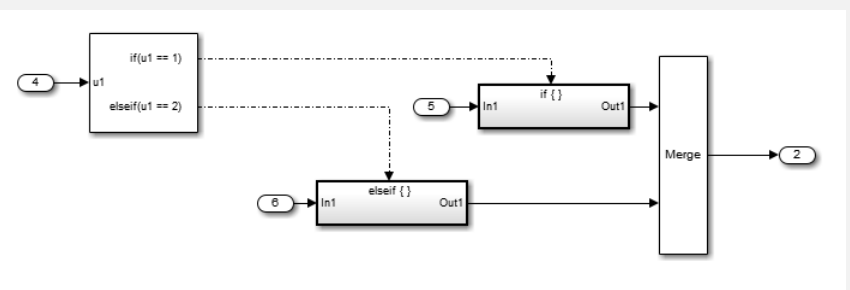


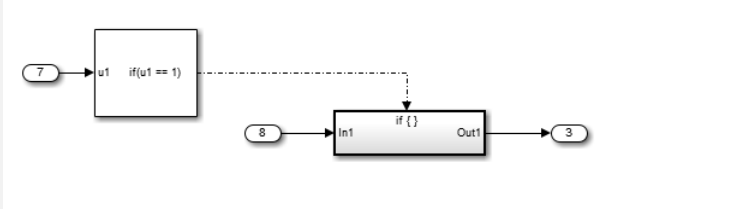
## hisl\_0009: Usage of For Iterator Subsystem blocks

ID: Title	hisl_0009: Usage of For Iterator Subsystem blocks	
Description	To support unambiguous behavior, when using the For Iterator Subsystem block,	
	A	Specify inherited (-1) or constant (inf) sample times for blocks within the subsystem.
	B	Avoid using sample time-dependent blocks, such as integrators, filters, and transfer functions, within the subsystem.
Rationale	A, B	Avoid ambiguous behavior from the subsystem.
Model Advisor Checks	<ul style="list-style-type: none"> <li>• <b>By Task &gt; Modeling Standards for IEC 61508 &gt; “Check usage of Ports and Subsystems blocks”</b></li> <li>• <b>By Task &gt; Modeling Standards for ISO 26262 &gt; “Check usage of Ports and Subsystems blocks”</b></li> <li>• <b>By Task &gt; Modeling Standards for DO-178C/DO-331 &gt; “Check usage of Ports and Subsystems blocks”</b></li> </ul>	
References	<ul style="list-style-type: none"> <li>• IEC 61508-3, Table A.3 (3) 'Language subset'; IEC 61508-3, Table A.4 (3) 'Defensive programming'</li> <li>• ISO 26262-6, Table 1 (b) 'Use of language subsets' ISO 26262-6, Table 1 (d) 'Use of defensive implementation techniques'</li> <li>• DO-331, Section MB.6.3.2.g 'Algorithms are accurate'</li> <li>• MISRA-C:2004, Rule 13.6</li> </ul>	
Last Changed	R2012b	
Examples	See “hisl_0007: Usage of While Iterator subsystems” on page 2-16.	

## hisl\_0010: Usage of If blocks and If Action Subsystem blocks

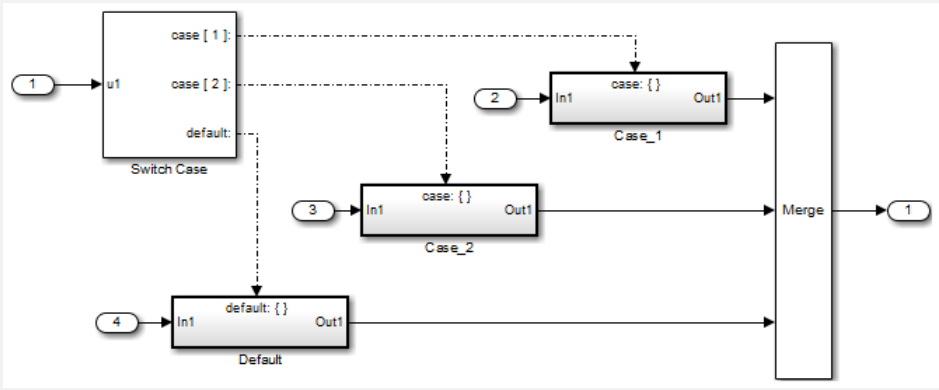
ID: Title	hisl_0010: Usage of If blocks and If Action Subsystem blocks	
Description	To support verifiable generated code, when using the If block with nonempty <code>Elseif</code> expressions,	
	A	In the block parameter dialog box, select <b>Show else condition</b> .
	B	Connect the outports of the If block to If Action Subsystem blocks.
Prerequisites	“hisl_0016: Usage of blocks that compute relational operators” on page 2-39	
Notes	The combination of If and If Action Subsystem blocks enable conditional execution based on input conditions. When there is only an <code>if</code> branch, you do not need to include an <code>else</code> branch.	
Rationale	A, B	Support generation of verifiable code.
References	<ul style="list-style-type: none"> <li>• IEC 61508-3, Table A.3 (3) 'Language subset'</li> <li>• IEC 61508-3, Table A.4 (3) 'Defensive programming'</li> <li>• ISO 26262–6, Table 1(b) 'Use of language subsets'</li> <li>• ISO 26262–6, Table 1(d) 'Use of defensive implementation techniques'</li> <li>• MISRA-C:2004, Rule 14.10</li> </ul>	
See Also	na_0012: Use of Switch vs. If-Then-Else Action Subsystem in the Simulink documentation	

ID: Title	hisl_0010: Usage of If blocks and If Action Subsystem blocks
Last Changed	R2012b
Examples	 <p><b>Recommended: Elseif with Else</b></p>
	 <p><b>Not Recommended: No Else Path</b></p>

ID: Title	hisl_0010: Usage of If blocks and If Action Subsystem blocks
	 <p data-bbox="397 569 951 604"><b>Recommended: Only an If, no Else required</b></p>

## hisl\_0011: Usage of Switch Case blocks and Action Subsystem blocks

ID: Title	hisl_0011: Usage of Switch Case blocks and Action Subsystem blocks	
Description	To support verifiable generated code, when using the Switch Case block:	
	A	In the Switch Case block parameter dialog box, select <b>Show default case</b> .
	B	Connect the outputs of the Switch Case block to an If Action Subsystem block.
	C	Use an integer data type for the inputs to Switch Case blocks.
Prerequisites	"hisl_0016: Usage of blocks that compute relational operators" on page 2-39	
Notes	The combination of Switch Case and If Action Subsystem blocks enable conditional execution based on input conditions. Provide a default path of execution in the form of a "Default" block.	
Rationale	A, B, C	Support generation of verifiable code.
References	<ul style="list-style-type: none"> <li>• IEC 61508-3, Table A.3 (3) 'Language subset'</li> <li>• IEC 61508-3, Table A.4 (3) 'Defensive programming'</li> <li>• ISO 26262-6, Table 1(b) 'Use of language subsets'</li> <li>• ISO 26262-6, Table 1(d) 'Use of defensive implementation techniques'</li> <li>• MISRA-C:2004, Rule 14.10</li> </ul>	
See Also	db_0115: Simulink patterns for case constructs in the Simulink documentation.	

<b>ID: Title</b>	<b>hisl_0011: Usage of Switch Case blocks and Action Subsystem blocks</b>
Last Changed	R2012b
Examples	<p>The following graphic displays an example of providing a default path of execution using a “Default” block.</p> 

## hisl\_0012: Usage of conditionally executed subsystems

ID: Title	hisl_0012: Usage of conditionally executed subsystems	
Description	To support unambiguous behavior, when using conditionally executed subsystems:	
	A	Specify inherited (-1) sample times for all blocks in the subsystem, except Constant. Constant blocks can use infinite (inf) sample time.
	B	If the subsystem is called asynchronously, avoid using sample time-dependent blocks, such as integrators, filters, and transfer functions, within the subsystem.
Notes	<p>Conditionally executed subsystems include:</p> <ul style="list-style-type: none"> <li>• If Action</li> <li>• Switch Case Action</li> <li>• Function-Call</li> <li>• Triggered</li> <li>• Enabled</li> </ul> <p>Sample time-dependent blocks include:</p> <ul style="list-style-type: none"> <li>• Discrete State-Space</li> <li>• Discrete-Time Integrator</li> <li>• Discrete FIR Filter</li> <li>• Discrete Filter</li> <li>• Discrete Transfer Fcn</li> <li>• Discrete Zero-Pole</li> <li>• Transfer Fcn First Order</li> <li>• Transfer Fcn Real Zero</li> <li>• Transfer Fcn Lead or Lag</li> </ul>	
Rationale	A, B	Support unambiguous behavior.

<b>ID: Title</b>	<b>hisl_0012: Usage of conditionally executed subsystems</b>
References	<ul style="list-style-type: none"><li>• IEC 61508-3, Table A.3 (3) 'Language subset'</li><li>• IEC 61508-3, Table A.4 (3) 'Defensive programming'</li><li>• ISO 26262-6, Table 1(b) 'Use of language subsets'</li><li>• ISO 26262-6, Table 1(d) 'Use of defensive implementation techniques'</li></ul>
Last Changed	R2012b
Examples	When using discrete blocks, the behavior depends on the operation across multiple contiguous time steps. When the blocks are called intermittently, the results may not conform to your expectations.

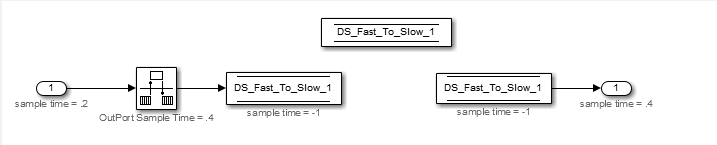
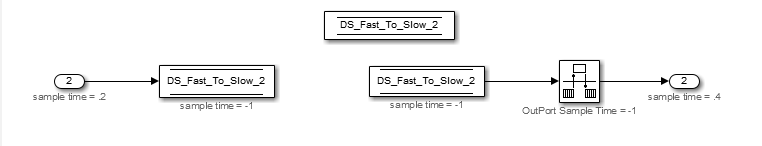
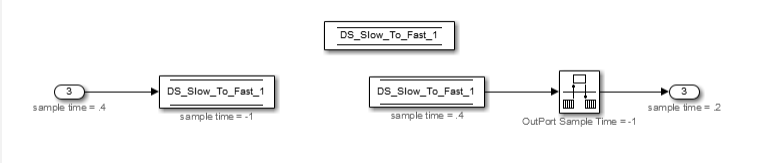


## Signal Routing

<b>In this section...</b>
“hisl_0013: Usage of data store blocks” on page 2-30
“hisl_0015: Usage of Merge blocks” on page 2-33
“hisl_0021: Consistent vector indexing method” on page 2-35
“hisl_0022: Data type selection for index signals” on page 2-36
“hisl_0023: Verification of model and subsystem variants” on page 2-37

## hisl\_0013: Usage of data store blocks

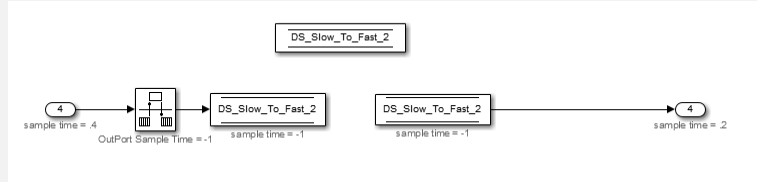
ID: Title	hisl_0013: Usage of data store blocks	
Description	To support deterministic behavior across different sample times or models when using data store blocks, including Data Store Memory, Data Store Read, and Data Store Write:	
	A	In the Configuration Parameters dialog box, on the <b>Diagnostics &gt; Data Validity</b> pane, under <b>Data Store Memory Block</b> , set the following parameters to error: <ul style="list-style-type: none"> <li>• <b>Detect read before write</b></li> <li>• <b>Detect write after read</b></li> <li>• <b>Detect write after write</b></li> <li>• <b>Multitask data store</b></li> <li>• <b>Duplicate data store names</b></li> </ul>
	B	Avoid data store reads and writes that occur across model and atomic subsystem boundaries.
	C	Avoid using data stores to write and read data at different rates, because different rates can result in inconsistent exchanges of data. To provide deterministic data coupling in multirate systems, use Rate Transition blocks before Data Store Write blocks, or after Data Store Read blocks.
Notes	The sorting algorithm in Simulink does not take into account data coupling between models and atomic subsystems.  Using data store memory blocks can have significant impact on your software verification effort. Models and subsystems that use only inports and outports to pass data provide a directly traceable interface, simplifying the verification process.	
Rationale	A, B, C	Support consistent data values across different sample times or models.
Model Advisor Checks	<b>By Task &gt; Modeling Standards for DO-178C/DO-331 &gt; “Check safety-related diagnostic settings for data store memory”</b>	

ID: Title	hisl_0013: Usage of data store blocks
References	<ul style="list-style-type: none"> <li>• IEC 61508-3, Table A.3 (3) 'Language subset'</li> <li>• IEC 61508-3, Table A.4 (3) 'Defensive programming'</li> <li>• ISO 26262-6, Table 1 (b) 'Use of language subsets'</li> <li>• ISO 26262-6, Table 1 (d) 'Use of defensive implementation techniques'</li> <li>• DO-331, Section MB.6.3.3.b 'Software architecture is consistent'</li> </ul>
Last Changed	R2012b
Examples	<p>The following examples use Rate Transition blocks to provide deterministic data coupling in multirate systems</p> <ul style="list-style-type: none"> <li>• For fast-to-slow transitions: <p>Set the rate of the slow sample time on either the Rate Transition block or the Data Store Write block.</p>  <p>Do not place the Rate Transition block after the Data Store Read block.</p>  </li> <li>• For slow-to-fast transitions: <p>If the Rate Transition block is after the Data Store Read block, specify the slow rate on the Data Store Read block.</p>  </li> </ul>

**ID: Title**

**hisl\_0013: Usage of data store blocks**

If the Rate Transition block is before the Data Store Write block, use the inherited sample time for the blocks.



## hisl\_0015: Usage of Merge blocks

ID: Title	hisl_0015: Usage of Merge blocks	
Description	To support unambiguous behavior from Merge blocks,	
	A	Use Merge blocks only with conditionally executed subsystems.
	B	Specify execution of the conditionally executed subsystems such that only one subsystem executes during a time step.
	C	Clear the Merge block parameter <b>Allow unequal port widths</b> .
Notes	<p>Simulink combines the inputs of the Merge block into a single output. The output value at any time is equal to the most recently computed output of the blocks that drive the Merge block. Therefore, the Merge block output is dependent upon the execution order of the input computations.</p> <p>To provide predictable behavior of the Merge block output, you must have mutual exclusion between the conditionally executed subsystems feeding a Merge block. If the inputs are not mutually exclusive, Simulink uses the last input port.</p>	
Rationale	A, B, C	Avoid unambiguous behavior.
References	<ul style="list-style-type: none"> <li>• IEC 61508-3, Table A.3 (3) 'Language subset'</li> <li>• IEC 61508-3, Table A.4 (3) 'Defensive programming'</li> <li>• ISO 26262-6, Table 1(b) 'Use of language subsets'</li> <li>• ISO 26262-6, Table 1(d) 'Use of defensive implementation techniques'</li> <li>• DO-331, Section MB.6.3.3.b 'Software architecture is consistent'</li> </ul>	
Last Changed	R2012b	

ID: Title	hisl_0015: Usage of Merge blocks
Examples	<div data-bbox="397 338 1154 690"> <p>Recommended</p> </div> <div data-bbox="397 715 581 743"> <p><b>Recommended</b></p> </div> <div data-bbox="397 795 1154 1159"> <p>Not Recommended</p> </div> <div data-bbox="397 1183 638 1211"> <p><b>Not Recommended</b></p> </div>

## hisl\_0021: Consistent vector indexing method

ID: Title	hisl_0021: Consistent vector indexing method			
Description	Within a model, use: <table border="1" data-bbox="387 413 1334 713"> <tr> <td data-bbox="387 413 457 713">A</td> <td data-bbox="461 413 1334 713">               A consistent vector indexing method for allblocks. Blocks for which you should set the indexing method include:               <ul style="list-style-type: none"> <li>• Index Vector</li> <li>• Multiport Switch</li> <li>• Assignment</li> <li>• Selector</li> <li>• For Iterator</li> </ul> </td> </tr> </table>		A	A consistent vector indexing method for allblocks. Blocks for which you should set the indexing method include: <ul style="list-style-type: none"> <li>• Index Vector</li> <li>• Multiport Switch</li> <li>• Assignment</li> <li>• Selector</li> <li>• For Iterator</li> </ul>
A	A consistent vector indexing method for allblocks. Blocks for which you should set the indexing method include: <ul style="list-style-type: none"> <li>• Index Vector</li> <li>• Multiport Switch</li> <li>• Assignment</li> <li>• Selector</li> <li>• For Iterator</li> </ul>			
Rationale	A	Reduce the risk of introducing errors due to inconsistent indexing.		
Model Advisor Checks	<ul style="list-style-type: none"> <li>• <b>By Task &gt; Modeling Standards for IEC 61508 &gt; “Check for inconsistent vector indexing methods”</b></li> <li>• <b>By Task &gt; Modeling Standards for ISO 26262 &gt; “Check for inconsistent vector indexing methods”</b></li> <li>• <b>By Task &gt; Modeling Standards for DO-178C/DO-331 &gt; “Check for inconsistent vector indexing methods”</b></li> </ul>			
References	<ul style="list-style-type: none"> <li>• DO-331, Section MB.6.3.2.b 'Low-level requirements are accurate and consistent'</li> <li>• IEC 61508–3, Table A.3 (3) 'Language subset' IEC 61508–3, Table A.4 (5) 'Design and coding standards'</li> <li>• ISO 26262-6, Table 1 (b) 'Use of language subsets' ISO 26262-6, Table 1 (f) 'Use of unambiguous graphical representation'</li> </ul>			
See Also	“cgsl_0101: Zero-based indexing”			
Last Changed	R2012b			

## hisl\_0022: Data type selection for index signals

ID: Title	hisl_0022: Data type selection for index signals	
Description	For index signals, use:	
	A	An integer or enumerated data type
	B	A data type that covers the range of indexed values.
Rationale	A	Prevent unexpected results that can occur with rounding operations for floating-point data types.
	B	Enable access to data in a vector.
References	<ul style="list-style-type: none"> <li>• IEC 61508–3, Table A.3 (2) 'Strongly typed programming language'</li> <li>• IEC 61508–3, Table A.4 (3) 'Defensive programming'</li> <li>• ISO 26262-6, Table 1 (b) 'Use of language subsets'</li> <li>• ISO 26262-6, Table 1 (c) 'Enforcement of strong typing'</li> <li>• ISO 26262-6, Table 1 (d) 'Use of defensive implementation techniques'</li> <li>• DO-331, Section MB.6.3.4.f 'Accuracy and Consistency of Source Code'</li> </ul>	
Last Changed	R2012b	



## hisl\_0023: Verification of model and subsystem variants

ID: Title	hisl_0023: Verification of model and subsystem variants	
Description	When verifying that a model is consistent with generated code, do one of the following:	
	A	In the Configuration Parameters dialog box, on the <b>Code Generation &gt; Interface</b> pane, disable variants in generated code by setting <b>Generate preprocessor conditionals</b> to <code>Disable all</code> .
	B	Verify all combinations of model variants that might be active in the generated code.
Rationale	A	Simplify consistency testing between the model and generated code by restricting the code base to a single variant.
	B	Make sure that consistency testing between the model and generated code is complete for all variants.
References	<ul style="list-style-type: none"> <li>• DO-331, Section MB.6.3.2.b 'Low-level requirements are accurate and consistent'</li> <li>• IEC 61508–3, Table A.4 (7) 'Use of trusted / verified software modules and components'</li> </ul>	
Last Changed	R2012b	

## Logic and Bit Operations

In this section...
“hisl_0016: Usage of blocks that compute relational operators” on page 2-39
“hisl_0017: Usage of blocks that compute relational operators (2)” on page 2-41
“hisl_0018: Usage of Logical Operator block” on page 2-42
“hisl_0019: Usage of Bitwise Operator block” on page 2-43

## hisl\_0016: Usage of blocks that compute relational operators

ID: Title	hisl_0016: Usage of blocks that compute relational operators			
Description	<p>To support the robustness of the operations, when using blocks that compute relational operators, including Relational Operator, Compare To Constant, Compare to Zero, and Detect Change</p> <table border="1" data-bbox="387 505 1337 583"> <tr> <td data-bbox="387 505 465 583">A</td> <td data-bbox="470 505 1337 583">Avoid comparisons using the == or ~= operator on floating-point data types.</td> </tr> </table>		A	Avoid comparisons using the == or ~= operator on floating-point data types.
A	Avoid comparisons using the == or ~= operator on floating-point data types.			
Notes	<p>Due to floating-point precision issues, do not test floating-point expressions for equality (==) or inequality (≠).</p> <p>When the model contains a block computing a relational operator with the == or ~= operators, the inputs to the block must not be single, double, or any custom storage class that is a floating-point type. Change the data type of the input signals, or rework the model to eliminate using the == or ~= operators within blocks that compute relational operators.</p>			
Rationale	A	Improve model robustness.		
Model Advisor Checks	<ul style="list-style-type: none"> <li>• <b>By Task &gt; Modeling Standards for IEC 61508 &gt; “Check usage of Logic and Bit Operations blocks”</b></li> <li>• <b>By Task &gt; Modeling Standards for ISO 26262 &gt; “Check usage of Logic and Bit Operations blocks”</b></li> <li>• <b>By Task &gt; Modeling Standards for DO-178C/DO-331 &gt; “Check usage of Logic and Bit Operations blocks”</b></li> </ul>			
References	<ul style="list-style-type: none"> <li>• IEC 61508-3, Table A.3 (3) 'Language subset'</li> <li>• IEC 61508-3, Table A.4 (3) 'Defensive programming'</li> <li>• ISO 26262-6, Table 1 (b) 'Use of language subsets'</li> <li>• ISO 26262-6, Table 1 (d) 'Use of defensive implementation techniques'</li> <li>• DO-331, Section MB.6.3.1.g 'Algorithms are accurate'</li> <li>• DO-331, Section MB.6.3.2.g 'Algorithms are accurate'</li> <li>• MISRA-C:2004, Rule 13.3</li> </ul>			
See Also	“hisl_0017: Usage of blocks that compute relational operators (2)” on page 2-41			

<b>ID: Title</b>	<b>hisl_0016: Usage of blocks that compute relational operators</b>
Last Changed	R2012b
Examples	<p>Positive Pattern: To test whether two floating-point variables or expressions are equal, compare the difference of the two variables against a threshold that takes into account the floating-point relative accuracy (eps) and the magnitude of the numbers.</p> <p>The following pattern shows how to test two double-precision input signals, In1 and In2, for equality.</p>

## hisl\_0017: Usage of blocks that compute relational operators (2)

ID: Title	hisl_0017: Usage of blocks that compute relational operators (2)	
Description	To support unambiguous behavior in the generated code, when using blocks that compute relational operators, including Relational Operator, Compare To Constant, Compare to Zero, and Detect Change	
	A	Set the block <b>Output data type</b> parameter to Boolean.
Rationale	A	Support generation of code that produces unambiguous behavior.
Model Advisor Checks	<ul style="list-style-type: none"> <li>• <b>By Task &gt; Modeling Standards for IEC 61508 &gt; “Check usage of Logic and Bit Operations blocks”</b></li> <li>• <b>By Task &gt; Modeling Standards for ISO 26262 &gt; “Check usage of Logic and Bit Operations blocks”</b></li> <li>• <b>By Task &gt; Modeling Standards for DO-178C/DO-331 &gt; “Check usage of Logic and Bit Operations blocks”</b></li> </ul>	
References	<ul style="list-style-type: none"> <li>• IEC 61508-3, Table A.3 (3) 'Language subset'; IEC 61508-3, Table A.3 (2) 'Strongly typed programming language'</li> <li>• ISO 26262-6, Table 1 (b) 'Use of language subsets' ISO 26262-6, Table 1 (c) 'Enforcement of strong typing'</li> <li>• DO-331, Section MB.6.3.1.g 'Algorithms are accurate' DO-331, Section MB.6.3.2.g 'Algorithms are accurate'</li> <li>• MISRA-C:2004, Rule 12.6</li> </ul>	
See Also	“hisl_0016: Usage of blocks that compute relational operators” on page 2-39	
Last Changed	R2012b	

## hisl\_0018: Usage of Logical Operator block

ID: Title	<b>hisl_0018: Usage of Logical Operator block</b>	
Description	To support unambiguous behavior of generated code, when using the Logical Operator block,	
	A	Set the <b>Output data type</b> block parameter to Boolean.
Prerequisites	“hisl_0045: Configuration Parameters > Optimization > Implement logic signals as Boolean data (vs. double)” on page 3-25	
Rationale	A	Avoid ambiguous behavior of generated code.
Model Advisor Checks	<ul style="list-style-type: none"> <li>• <b>By Task &gt; Modeling Standards for IEC 61508 &gt; “Check usage of Logic and Bit Operations blocks”</b></li> <li>• <b>By Task &gt; Modeling Standards for ISO 26262 &gt; “Check usage of Logic and Bit Operations blocks”</b></li> <li>• <b>By Task &gt; Modeling Standards for DO-178C/DO-331 &gt; “Check usage of Logic and Bit Operations blocks”</b></li> <li>• <b>By Task &gt; Modeling Standards for DO-178C/DO-331 &gt; “Check safety-related optimization settings”</b></li> </ul>	
References	<ul style="list-style-type: none"> <li>• IEC 61508-3, Table A.3 (3) 'Language subset'</li> <li>• IEC 61508-3, Table A.3 (2) 'Strongly typed programming language'</li> <li>• ISO 26262-6, Table 1 (b) 'Use of language subsets'</li> <li>• ISO 26262-6, Table 1 (c) 'Enforcement of strong typing'</li> <li>• DO-331, Section MB.6.3.1.g 'Algorithms are accurate'</li> <li>• DO-331, Section MB.6.3.2.g 'Algorithms are accurate'</li> <li>• MISRA-C:2004, Rule 12.6</li> </ul>	
Last Changed	R2012b	

## hisl\_0019: Usage of Bitwise Operator block

ID: Title	hisl_0019: Usage of Bitwise Operator block	
Description	To support unambiguous behavior, when using the Bitwise Operator block,	
	A	Avoid signed integer data types as input to the block.
	B	Choose an output data type that represents zero exactly.
Notes	Bitwise operations on signed integers are not meaningful. If a shift operation moves a signed bit into a numeric bit, or a numeric bit into a signed bit, unpredictable and unwanted behavior can result.	
Rationale	A, B	Support unambiguous behavior of generated code.
References	<ul style="list-style-type: none"> <li>• IEC 61508-3, Table A.3 (3) 'Language subset'</li> <li>• IEC 61508-3, Table A.3 (2) 'Strongly typed programming language'</li> <li>• ISO 26262-6, Table 1 (b) 'Use of language subsets'</li> <li>• ISO 26262-6, Table 1 (c) 'Enforcement of strong typing'</li> <li>• ISO 26262-6, Table 1 (d) 'Use of defensive implementation techniques'</li> <li>• MISRA-C:2004, Rule 12.7</li> </ul>	
See Also	"hisf_0003: Usage of bitwise operations" on page 4-12 in the Simulink documentation	
Last Changed	R2012b	





# Configuration Parameter Considerations

---

- “Solver” on page 3-2
- “Diagnostics” on page 3-7
- “Optimizations” on page 3-24

# Solver

<b>In this section...</b>
“hisl_0040: Configuration Parameters > Solver > Simulation time” on page 3-3
“hisl_0041: Configuration Parameters > Solver > Solver options” on page 3-4
“hisl_0042: Configuration Parameters > Solver > Tasking and sample time options” on page 3-5

## hisl\_0040: Configuration Parameters > Solver > Simulation time

ID: Title	hisl_0040: Configuration Parameters > Solver > Simulation time	
Description	For models used to develop high-integrity systems, in the Configuration Parameters dialog box, on the <b>Solver</b> pane, set parameters for simulation time as follows:	
	A	<b>Start time</b> to 0.0.
	B	<b>Stop time</b> to a positive value that is less than the value of <b>Application lifespan (days)</b> .
Note	<p>Simulink allows nonzero start times for simulation. However, production code generation requires a zero start time.</p> <p>By default, <b>Application lifespan (days)</b> is <code>inf</code>. If you do not change this setting, any positive value for <b>Stop time</b> is valid.</p> <p>You specify <b>Stop time</b> in seconds and <b>Application lifespan (days)</b> is in days.</p>	
Rationale	A	Generate code that is valid for production code generation.
References	<ul style="list-style-type: none"> <li>• IEC 61508-3, Table A.3 (3) 'Language subset'</li> <li>• ISO 26262-6, Table 1 (b) 'Use of language subsets'</li> </ul>	
See Also	<ul style="list-style-type: none"> <li>• “hisl_0048: Configuration Parameters &gt; Optimization &gt; Application lifespan (days)” on page 3-27</li> <li>• Solver Pane section of the Simulink documentation</li> </ul>	
Last Changed	R2012b	

## hisl\_0041: Configuration Parameters > Solver > Solver options

ID: Title	hisl_0041: Configuration Parameters > Solver > Solver options	
Description	For models used to develop high-integrity systems, in the Configuration Parameters dialog box, on the <b>Solver</b> pane, set parameters for solvers as follows:	
	A	<b>Type</b> to Fixed-step.
	B	<b>Solver</b> to discrete (no continuous states).
Note	Generating code for production requires a fixed-step, discrete solver.	
Rationale	A, B	Generate code that is valid for production code generation.
References	<ul style="list-style-type: none"> <li>• IEC 61508-3, Table A.3 (3) 'Language subset'</li> <li>• ISO 26262-6, Table 1 (b) 'Use of language subsets'</li> </ul>	
See Also	"Solver Pane" in the Simulink documentation	
Last Changed	R2012b	

## hisl\_0042: Configuration Parameters > Solver > Tasking and sample time options

ID: Title	hisl_0042: Configuration Parameters > Solver > Tasking and sample time options	
Description	For models used to develop high-integrity systems, in the Configuration Parameters dialog box, on the <b>Solver</b> pane, set parameters for tasking and sample time as follows:	
	A	<p><b>Periodic sample time constraint</b> to Specified and assign values to <b>Sample time properties</b>.</p> <hr/> <p><b>Caution</b> If you use a referenced model as a reusable function, set <b>Periodic sample time constraint</b> to Ensure sample time independent.</p> <hr/>
	B	<b>Tasking mode for periodic sample times</b> to SingleTasking or MultiTasking.
	C	Clear the parameter <b>Automatically handle data transfers between tasks</b> .
Notes	<p>Selecting the <b>Automatically handle data transfers between tasks</b> check box might result in inserting rate transition code without a corresponding model construct. This might impede establishing full traceability or showing that unintended functions are not introduced.</p> <p>You can select or clear the <b>Higher priority value indicates higher task priority</b> check box . Selecting this check box determines whether the priority for <b>Sample time properties</b> uses the lowest values as highest priority, or the highest values as highest priority.</p>	
Rationale	A, B, C	Support fully specified models and unambiguous code.
References	<ul style="list-style-type: none"> <li>• IEC 61508-3, Table A.3 (3) 'Language subset'</li> <li>• ISO 26262-6, Table 1 (b) 'Use of language subsets'</li> <li>• DO-331, Section MB.6.3.4.e 'Source code is traceable to low-level requirements'</li> </ul>	

<b>ID: Title</b>	<b>hisl_0042: Configuration Parameters &gt; Solver &gt; Tasking and sample time options</b>
See Also	“Solver Pane” in the Simulink documentation
Last Changed	R2012b

## Diagnostics

### In this section...

“hisl\_0043: Configuration Parameters > Diagnostics > Solver” on page 3-8

“hisl\_0044: Configuration Parameters > Diagnostics > Sample Time” on page 3-10

“hisl\_0301: Configuration Parameters > Diagnostics > Compatibility” on page 3-13

“hisl\_0302: Configuration Parameters > Diagnostics > Data Validity > Parameters” on page 3-14

“hisl\_0303: Configuration Parameters > Diagnostics > Data Validity > Merge block” on page 3-15

“hisl\_0304: Configuration Parameters > Diagnostics > Data Validity > Model Initialization” on page 3-16

“hisl\_0305: Configuration Parameters > Diagnostics > Data Validity > Debugging” on page 3-17

“hisl\_0306: Configuration Parameters > Diagnostics > Connectivity > Signals” on page 3-18

“hisl\_0307: Configuration Parameters > Diagnostics > Connectivity > Buses” on page 3-19

“hisl\_0308: Configuration Parameters > Diagnostics > Connectivity > Function calls” on page 3-20

“hisl\_0309: Configuration Parameters > Diagnostics > Type Conversion” on page 3-21

“hisl\_0310: Configuration Parameters > Diagnostics > Model Referencing” on page 3-22

“hisl\_0311: Configuration Parameters > Diagnostics > Stateflow” on page 3-23

## hisl\_0043: Configuration Parameters > Diagnostics > Solver

ID: Title	hisl_0043: Configuration Parameters > Diagnostics > Solver									
Description	For models used to develop high-integrity systems, in the Configuration Parameters dialog box, on the <b>Diagnostics</b> pane, set the parameters of the <b>Solver</b> section to:									
	Compile-Time	<ul style="list-style-type: none"> <li>• <b>Algebraic loop</b> to error.</li> <li>• <b>Minimize algebraic loop</b> to error.</li> <li>• <b>Unspecified inheritability of sample times</b> to error.</li> <li>• <b>Automatic solver parameter selection</b> to error.</li> <li>• <b>State name clash</b> to warning.</li> </ul>								
	Run-Time	<ul style="list-style-type: none"> <li>• <b>Block priority violation</b> to error if you are using block priorities.</li> </ul>								
Note	<p>Enabling diagnostics pertaining to the solver provides information to detect violations of other guidelines.</p> <table border="1" data-bbox="397 951 1320 1426"> <thead> <tr> <th data-bbox="397 951 857 998">If Diagnostic Parameter...</th> <th data-bbox="862 951 1320 998">Is Not Set As Indicated, Then ...</th> </tr> </thead> <tbody> <tr> <td data-bbox="397 1003 857 1142"><b>Algebraic loop</b></td> <td data-bbox="862 1003 1320 1142">Automatic breakage of algebraic loops can go undetected and might result in unpredictable block order execution.</td> </tr> <tr> <td data-bbox="397 1147 857 1286"><b>Minimize algebraic loop</b></td> <td data-bbox="862 1147 1320 1286">Automatic breakage of algebraic loops can go undetected and might result in unpredictable block order execution.</td> </tr> <tr> <td data-bbox="397 1291 857 1426"><b>Block priority violation</b></td> <td data-bbox="862 1291 1320 1426">Block execution order can include undetected conflicts that might</td> </tr> </tbody> </table>		If Diagnostic Parameter...	Is Not Set As Indicated, Then ...	<b>Algebraic loop</b>	Automatic breakage of algebraic loops can go undetected and might result in unpredictable block order execution.	<b>Minimize algebraic loop</b>	Automatic breakage of algebraic loops can go undetected and might result in unpredictable block order execution.	<b>Block priority violation</b>	Block execution order can include undetected conflicts that might
If Diagnostic Parameter...	Is Not Set As Indicated, Then ...									
<b>Algebraic loop</b>	Automatic breakage of algebraic loops can go undetected and might result in unpredictable block order execution.									
<b>Minimize algebraic loop</b>	Automatic breakage of algebraic loops can go undetected and might result in unpredictable block order execution.									
<b>Block priority violation</b>	Block execution order can include undetected conflicts that might									



ID: Title	<b>hisl_0043: Configuration Parameters &gt; Diagnostics &gt; Solver</b>							
	<p>result in unpredictable block order execution.</p> <table border="1" data-bbox="397 388 1323 826"> <tr> <td data-bbox="405 395 857 604"><b>Unspecified inheritability of sample times</b></td> <td data-bbox="862 395 1316 604">An S-function that is not explicitly set to inherit sample time can go undetected and result in unpredictable behavior.</td> </tr> <tr> <td data-bbox="405 609 857 748"><b>Automatic solver parameter selection</b></td> <td data-bbox="862 609 1316 748">An automatic change to the solver, step size, or simulation stop time can go undetected and might the operation of generated code.</td> </tr> <tr> <td data-bbox="405 753 857 819"><b>State name clash</b></td> <td data-bbox="862 753 1316 819">A name being used for more than one state might go undetected.</td> </tr> </table> <p>You can set the following solver diagnostic parameters to anyvalue:</p> <ul style="list-style-type: none"> <li><b>Min step size violation</b></li> <li><b>Sample hit time adjusting</b></li> <li><b>Consecutive zero crossings violation</b></li> <li><b>Solver data inconsistency</b></li> <li><b>Extraneous discrete derivative signals</b></li> </ul>		<b>Unspecified inheritability of sample times</b>	An S-function that is not explicitly set to inherit sample time can go undetected and result in unpredictable behavior.	<b>Automatic solver parameter selection</b>	An automatic change to the solver, step size, or simulation stop time can go undetected and might the operation of generated code.	<b>State name clash</b>	A name being used for more than one state might go undetected.
<b>Unspecified inheritability of sample times</b>	An S-function that is not explicitly set to inherit sample time can go undetected and result in unpredictable behavior.							
<b>Automatic solver parameter selection</b>	An automatic change to the solver, step size, or simulation stop time can go undetected and might the operation of generated code.							
<b>State name clash</b>	A name being used for more than one state might go undetected.							
Rationale	A	Support generation of robust and unambiguous code.						
Model Advisor Checks	<b>By Task &gt; Modeling Standards for DO-178C/DO-331 &gt; “Check safety-related diagnostic settings for solvers”</b>							
References	<ul style="list-style-type: none"> <li>• IEC 61508-3, Table A.3 (3) 'Language subset'</li> <li>• ISO 26262-6, Table 1 (b) 'Use of language subsets'</li> <li>• DO-331, MB.6.3.3.e 'Software architecture conforms to standards'</li> </ul>							
See Also	<ul style="list-style-type: none"> <li>• “Diagnostics Pane: Solver” in the Simulink documentation</li> <li>• jc_0021: Model diagnostic settings in the Simulink documentation</li> </ul>							
Last Changed	R2012b							

## hisl\_0044: Configuration Parameters > Diagnostics > Sample Time

ID: Title	hisl_0044: Configuration Parameters > Diagnostics > Sample Time							
Description	For models used to develop high-integrity systems, in the Configuration Parameters dialog box, on the <b>Diagnostics</b> pane, set the parameters of the <b>Sample Time</b> section to error:							
	Compile-Time	<ul style="list-style-type: none"> <li>• <b>Source block specifies -1 sample time</b></li> <li>• <b>Discrete used as continuous</b></li> <li>• <b>Multitask rate transition</b></li> <li>• <b>Single task rate transition</b></li> <li>• <b>Multitask conditionally executed subsystem</b></li> <li>• <b>Tasks with equal priority</b></li> <li>• <b>Enforce sample times specified by Signal Specification blocks</b></li> </ul> <p>If the target system does not allow preemption between tasks that have equal priority, set <b>Tasks with equal priority</b> to none.</p>						
	Run-Time	Not applicable						
Note	<p>Enabling diagnostics pertaining to the solver provides information to detect violations of other guidelines.</p> <table border="1" data-bbox="397 1177 1325 1543"> <thead> <tr> <th data-bbox="402 1182 857 1225">If Diagnostic Parameter...</th> <th data-bbox="862 1182 1320 1225">Is Not Set As Indicated, Then ...</th> </tr> </thead> <tbody> <tr> <td data-bbox="402 1230 857 1399"><b>Source block specifies -1 sample time</b></td> <td data-bbox="862 1230 1320 1399">Use of inherited sample times for a source block, such as Sine Wave, can go undetected and result in unpredictable execution rates for source and downstream blocks.</td> </tr> <tr> <td data-bbox="402 1404 857 1538"><b>Discrete used as continuous</b></td> <td data-bbox="862 1404 1320 1538">Input signals with continuous sample times for a discrete block, such as Unit Delay, can go undetected. You cannot use signals</td> </tr> </tbody> </table>		If Diagnostic Parameter...	Is Not Set As Indicated, Then ...	<b>Source block specifies -1 sample time</b>	Use of inherited sample times for a source block, such as Sine Wave, can go undetected and result in unpredictable execution rates for source and downstream blocks.	<b>Discrete used as continuous</b>	Input signals with continuous sample times for a discrete block, such as Unit Delay, can go undetected. You cannot use signals
If Diagnostic Parameter...	Is Not Set As Indicated, Then ...							
<b>Source block specifies -1 sample time</b>	Use of inherited sample times for a source block, such as Sine Wave, can go undetected and result in unpredictable execution rates for source and downstream blocks.							
<b>Discrete used as continuous</b>	Input signals with continuous sample times for a discrete block, such as Unit Delay, can go undetected. You cannot use signals							

<b>ID: Title</b>		<b>hisl_0044: Configuration Parameters &gt; Diagnostics &gt; Sample Time</b>
		with continuous sample times for embedded real-time software applications
	<b>Multitask rate transition</b>	Invalid rate transitions between two blocks operating in multitasking mode can go undetected. You cannot use invalid rate transitions for embedded real-time software applications.
	<b>Single task rate transition</b>	A rate transition between two blocks operating in single-tasking mode can go undetected. You cannot use single-tasking rate transitions for embedded real-time software applications.
	<b>Multitask conditionally executed subsystems</b>	A conditionally executed multirate subsystem, operating in multitasking mode, might go undetected and corrupt data or show unexpected behavior in a target system that allows preemption.
	<b>Tasks with equal priority</b>	Two asynchronous tasks with equal priority might go undetected and show unexpected behavior in target systems that allow preemption.
	<b>Enforce sample times specified by Signal Specification blocks</b>	Inconsistent sample times for a Signal Specification block and the connected destination block might go undetected and result in unpredictable execution rates.
Rationale	A	Support generation of robust and unambiguous code.
Model Advisor Checks	<b>By Task &gt; Modeling Standards for DO-178C/DO-331 &gt; “Check safety-related diagnostic settings for sample time”</b>	

<b>ID: Title</b>	<b>hisl_0044: Configuration Parameters &gt; Diagnostics &gt; Sample Time</b>
References	<ul style="list-style-type: none"><li>• IEC 61508-3, Table A.3 (3) 'Language subset'</li><li>• ISO 26262-6, Table 1 (b) 'Use of language subsets'</li><li>• DO-331, Section MB.6.3.1.b 'High-level requirements are accurate and consistent'</li><li>• DO-331, Section MB.6.3.2.b 'Low-level requirements are accurate and consistent'</li><li>• DO-331, Section MB.6.3.3.b 'Software architecture is consistent'</li></ul>
See Also	"Diagnostics Pane: Sample Time" in the Simulink documentation
Last Changed	R2012b

## hisl\_0301: Configuration Parameters > Diagnostics > Compatibility

ID: Title	hisl_0301: Configuration Parameters > Diagnostics > Compatibility	
Description	For models used to develop high-integrity systems, in the Configuration Parameters dialog box, on the <b>Diagnostics</b> pane, set the parameters of the <b>Compatibility</b> section to:	
	Compile-Time	<b>S—function upgrades needed</b> > error
	Run-Time	Not applicable
Note	There are two categories of diagnostics — compile-time and run-time. Prior to a simulation, compile-time diagnostics run once. During a simulation, run-time diagnostics are active at every time step. Because run-time diagnostics are active during a simulation, they impact the simulation speed. For simulations outside of a verification and validation context, consider disabling run-time diagnostics.	
Rationale	Improve robustness of design.	
Model Advisor Checks	<b>By Task &gt; Modeling Standards for DO-178C/DO-331 &gt; “Check safety-related diagnostic settings for compatibility”</b>	
See Also	“Diagnostics Pane: Compatibility” in the Simulink documentation	
Last Changed	R2012b	

## hisl\_0302: Configuration Parameters > Diagnostics > Data Validity > Parameters

ID: Title	hisl_0302: Configuration Parameters > Diagnostics > Data Validity > Parameters	
Description	For models used to develop high-integrity systems, in the Configuration Parameters dialog box, on the <b>Diagnostics</b> pane, set the parameters of the <b>Data Validity &gt; Parameters</b> section to:	
	Compile-Time	<b>Detect downcast</b> > error <b>Detect precision loss</b> > error
	Run-Time	<b>Detect overflow</b> > error <b>Detect underflow</b> > error
Note	There are two categories of diagnostics — compile-time and run-time. Prior to a simulation, compile-time diagnostics run once. During a simulation, run-time diagnostics are active at every time step. Because run-time diagnostics are active during a simulation, they impact the simulation speed. For simulations outside of a verification and validation context, consider disabling run-time diagnostics.	
Rationale	Improve robustness of design.	
Model Advisor Checks	<b>By Task &gt; Modeling Standards for DO-178C/DO-331 &gt; “Check safety-related diagnostic settings for parameters”</b>	
See Also	“Diagnostics Pane: Data Validity” in the Simulink documentation	
Last Changed	R2012b	

## hisl\_0303: Configuration Parameters > Diagnostics > Data Validity > Merge block

ID: Title	<b>hisl_0303: Configuration Parameters &gt; Diagnostics &gt; Data Validity &gt; Merge block</b>	
Description	For models used to develop high-integrity systems, in the Configuration Parameters dialog box, on the <b>Diagnostics</b> pane, set the parameters of the <b>Data Validity &gt; Merge block</b> section to:	
	Compile-Time	Not applicable
	Run-Time	<b>Detect multiple driving blocks executing at the same time step &gt; error</b>
Note	There are two categories of diagnostics — compile-time and run-time. Prior to a simulation, compile-time diagnostics run once. During a simulation, run-time diagnostics are active at every time step. Because run-time diagnostics are active during a simulation, they impact the simulation speed. For simulations outside of a verification and validation context, consider disabling run-time diagnostics.	
Rationale	Improve robustness of design.	
See Also	“Diagnostics Pane: Data Validity” in the Simulink documentation	
Last Changed	R2011b	

## **hisl\_0304: Configuration Parameters > Diagnostics > Data Validity > Model Initialization**

<b>ID: Title</b>	<b>hisl_0304: Configuration Parameters &gt; Diagnostics &gt; Data Validity &gt; Model Initialization</b>	
Description	For models used to develop high-integrity systems, in the Configuration Parameters dialog box, on the <b>Diagnostics</b> pane, set the parameters of the <b>Data Validity &gt; Model Initialization</b> section to:	
	Compile-Time	Not applicable
	Run-Time	<b>Underspecified initialization detection &gt; Simplified</b>
Note	There are two categories of diagnostics — compile-time and run-time. Prior to a simulation, compile-time diagnostics run once. During a simulation, run-time diagnostics are active at every time step. Because run-time diagnostics are active during a simulation, they impact the simulation speed. For simulations outside of a verification and validation context, consider disabling run-time diagnostics.	
Rationale	Improve robustness of design.	
Model Advisor Checks	<b>By Task &gt; Modeling Standards for DO-178C/DO-331 &gt; “Check safety-related diagnostic settings for model initialization”</b>	
See Also	“Diagnostics Pane: Data Validity” in the Simulink documentation	
Last Changed	R2012b	



## hisl\_0305: Configuration Parameters > Diagnostics > Data Validity > Debugging

ID: Title	<b>hisl_0305: Configuration Parameters &gt; Diagnostics &gt; Data Validity &gt; Debugging</b>	
Description	For models used to develop high-integrity systems, in the Configuration Parameters dialog box, on the <b>Diagnostics</b> pane, set the parameters of the <b>Data Validity &gt; Debugging</b> section to:	
	Compile-Time	<b>Model Verification block enabling</b> > Disable All
	Run-Time	Not applicable
Note	There are two categories of diagnostics — compile-time and run-time. Prior to a simulation, compile-time diagnostics run once. During a simulation, run-time diagnostics are active at every time step. Because run-time diagnostics are active during a simulation, they impact the simulation speed. For simulations outside of a verification and validation context, consider disabling run-time diagnostics.	
Rationale	Improve robustness of design.	
See Also	“Diagnostics Pane: Data Validity” in the Simulink documentation	
Last Changed	R2011b	

## hisl\_0306: Configuration Parameters > Diagnostics > Connectivity > Signals

ID: Title	hisl_0306: Configuration Parameters > Diagnostics > Connectivity > Signals	
Description	For models used to develop high-integrity systems, in the Configuration Parameters dialog box, on the <b>Diagnostics</b> pane, set the parameters of the <b>Connectivity &gt; Signals</b> section to:	
	Compile-Time	Not applicable
	Run-Time	<b>Signal label mismatch</b> > error <b>Unconnected block input ports</b> > error <b>Unconnected block output ports</b> > error <b>Unconnected line</b> > error
Note	There are two categories of diagnostics — compile-time and run-time. Prior to a simulation, compile-time diagnostics run once. During a simulation, run-time diagnostics are active at every time step. Because run-time diagnostics are active during a simulation, they impact the simulation speed. For simulations outside of a verification and validation context, consider disabling run-time diagnostics.	
Rationale	Improve robustness of design.	
Model Advisor Checks	<b>By Task &gt; Modeling Standards for DO-178C/DO-331 &gt; “Check safety-related diagnostic settings for signal connectivity”</b>	
See Also	“Diagnostics Pane: Connectivity” in the Simulink documentation	
Last Changed	R2012b	

## hisl\_0307: Configuration Parameters > Diagnostics > Connectivity > Buses

ID: Title	hisl_0307: Configuration Parameters > Diagnostics > Connectivity > Buses	
Description	For models used to develop high-integrity systems, in the Configuration Parameters dialog box, on the <b>Diagnostics</b> pane, set the parameters of the <b>Connectivity &gt; Buses</b> section to:	
	Compile-Time	Not applicable
	Run-Time	<b>Unspecified bus object at root Outputport block</b> > error <b>Element name mismatch</b> > error <b>Mux blocks used to create bus signals</b> > error <b>Non-bus signals treated as bus signals</b> > error <b>Repair bus selection</b> > Warn and repair
Note	There are two categories of diagnostics — compile-time and run-time. Prior to a simulation, compile-time diagnostics run once. During a simulation, run-time diagnostics are active at every time step. Because run-time diagnostics are active during a simulation, they impact the simulation speed. For simulations outside of a verification and validation context, consider disabling run-time diagnostics.	
Rationale	Improve robustness of design.	
Model Advisor Checks	<b>By Task &gt; Modeling Standards for DO-178C/DO-331 &gt; “Check safety-related diagnostic settings for bus connectivity”</b>	
See Also	“Diagnostics Pane: Connectivity” in the Simulink documentation	
Last Changed	R2012b	

## hisl\_0308: Configuration Parameters > Diagnostics > Connectivity > Function calls

ID: Title	hisl_0308: Configuration Parameters > Diagnostics > Connectivity > Function calls	
Description	For models used to develop high-integrity systems, in the Configuration Parameters dialog box, on the <b>Diagnostics</b> pane, set the parameters of the <b>Connectivity &gt; Function calls</b> section to:	
	Compile-Time	<b>Invalid function-call connection &gt; error</b>
	Run-Time	<b>Context—dependent inputs &gt; Enable all</b>
Note	There are two categories of diagnostics — compile-time and run-time. Prior to a simulation, compile-time diagnostics run once. During a simulation, run-time diagnostics are active at every time step. Because run-time diagnostics are active during a simulation, they impact the simulation speed. For simulations outside of a verification and validation context, consider disabling run-time diagnostics.	
Rationale	Improve robustness of design.	
Model Advisor Checks	<b>By Task &gt; Modeling Standards for DO-178C/DO-331 &gt; “Check safety-related diagnostic settings that apply to function-call connectivity”</b>	
See Also	“Diagnostics Pane: Connectivity” in the Simulink documentation	
Last Changed	R2012b	

## hisl\_0309: Configuration Parameters > Diagnostics > Type Conversion

ID: Title	hisl_0309: Configuration Parameters > Diagnostics > Type Conversion	
Description	For models used to develop high-integrity systems, in the Configuration Parameters dialog box, on the <b>Diagnostics</b> pane, set the parameters of the <b>Type Conversion</b> section to:	
	Compile-Time	<b>Vector / matrix block input conversion</b> > error
	Run-Time	Not applicable
Note	There are two categories of diagnostics — compile-time and run-time. Prior to a simulation, compile-time diagnostics run once. During a simulation, run-time diagnostics are active at every time step. Because run-time diagnostics are active during a simulation, they impact the simulation speed. For simulations outside of a verification and validation context, consider disabling run-time diagnostics.	
Rationale	Improve robustness of design.	
Model Advisor Checks	<b>By Task &gt; Modeling Standards for DO-178C/DO-331 &gt; “Check safety-related diagnostic settings for type conversions”</b>	
See Also	“Diagnostics Pane: Type Conversion” in the Simulink documentation	
Last Changed	R2012b	

## hisl\_0310: Configuration Parameters > Diagnostics > Model Referencing

ID: Title	hisl_0310: Configuration Parameters > Diagnostics > Model Referencing	
Description	For models used to develop high-integrity systems, in the Configuration Parameters dialog box, on the <b>Diagnostics</b> pane, set the parameters of the <b>Model Referencing</b> section to:	
	Compile-Time	<b>Model block version mismatch &gt; error</b> <b>Port and parameter mismatch &gt; error</b> <b>Invalid root Inport / Outport block connection &gt; error</b> <b>Unsupported data logging &gt; error</b>
	Run-Time	Not applicable
Note	There are two categories of diagnostics — compile-time and run-time. Prior to a simulation, compile-time diagnostics run once. During a simulation, run-time diagnostics are active at every time step. Because run-time diagnostics are active during a simulation, they impact the simulation speed. For simulations outside of a verification and validation context, consider disabling run-time diagnostics.	
Rationale	Improve robustness of design.	
Model Advisor Checks	<b>By Task &gt; Modeling Standards for DO-178C/DO-331 &gt; “Check safety-related diagnostic settings for model referencing”</b>	
See Also	“Diagnostics Pane: Model Referencing” in the Simulink documentation	
Last Changed	R2012b	

## hisl\_0311: Configuration Parameters > Diagnostics > Stateflow

ID: Title	hisl_0311: Configuration Parameters > Diagnostics > Stateflow	
Description	For models used to develop high-integrity systems, in the Configuration Parameters dialog box, on the <b>Diagnostics</b> pane, set the parameters of the <b>Stateflow</b> section to:	
	Compile-Time	<b>Unexpected backtracking</b> > error <b>Invalid input data access in chart initialization</b> > error <b>No unconditional default transitions</b> > error <b>Transitions outside natural parent</b> > error <b>Transition shadowing</b> > error
	Run-Time	Not applicable
Note	There are two categories of diagnostics — compile-time and run-time. Prior to a simulation, compile-time diagnostics run once. During a simulation, run-time diagnostics are active at every time step. Because run-time diagnostics are active during a simulation, they impact the simulation speed. For simulations outside of a verification and validation context, consider disabling run-time diagnostics.	
Rationale	Improve robustness of design.	
Model Advisor Checks	<b>By Task &gt; Modeling Standards for DO-178C/DO-331 &gt; “Check safety-related diagnostic settings for model referencing”</b>	
See Also	“Diagnostics Pane: Stateflow” in the Simulink documentation	
Last Changed	R2012b	

## Optimizations

In this section...
“hisl_0045: Configuration Parameters > Optimization > Implement logic signals as Boolean data (vs. double)” on page 3-25
“hisl_0046: Configuration Parameters > Optimization > Block reduction” on page 3-26
“hisl_0048: Configuration Parameters > Optimization > Application lifespan (days)” on page 3-27
“hisl_0051: Configuration Parameters > Optimization > Signals and Parameters > Loop unrolling threshold” on page 3-28
“hisl_0052: Configuration Parameters > Optimization > Data initialization” on page 3-29
“hisl_0053: Configuration Parameters > Optimization > Remove code from floating-point to integer conversions that wraps out-of-range values” on page 3-30
“hisl_0054: Configuration Parameters > Optimization > Remove code that protects against division arithmetic exceptions” on page 3-31
“hisl_0055: Prioritization of code generation objectives for high-integrity systems” on page 3-32



## hisl\_0045: Configuration Parameters > Optimization > Implement logic signals as Boolean data (vs. double)

<b>ID: Title</b>	<b>hisl_0045: Configuration Parameters &gt; Optimization &gt; Implement logic signals as Boolean data (vs. double)</b>	
Description	To support unambiguous behavior when using logical operators, relational operators, and the Combinatorial Logic block,	
	A	Select <b>Implement logic signals as Boolean data (vs. double)</b> in the <b>Optimization</b> pane of the Configuration Parameters dialog box.
Notes	Selecting the <b>Implement logic signals as Boolean data (vs. double)</b> parameter, enables Boolean type checking, which produces an error when blocks that prefer Boolean inputs connect to double signals. This checking results in generating code that requires less memory.	
Rationale	A	Avoid ambiguous model behavior and optimize memory for generated code.
Model Advisor Checks	<b>By Task &gt; Modeling Standards for DO-178C/DO-331 &gt; “Check safety-related optimization settings”</b>	
References	<ul style="list-style-type: none"> <li>• IEC 61508-3, Table A.3 (2) 'Strongly typed programming language'</li> <li>• ISO 26262-6, Table 1 (c) 'Enforcement of strong typing'</li> <li>• DO-331, MB.6.3.1.e 'High-level requirements conform to standards'</li> <li>• DO-331, MB.6.3.2.e 'Low-level requirements conform to standards'</li> <li>• MISRA-C:2004, Rule 12.6</li> </ul>	
Last Changed	R2012b	

## hisl\_0046: Configuration Parameters > Optimization > Block reduction

ID: Title	hisl_0046: Configuration Parameters > Optimization > Block reduction	
Description	To support unambiguous presentation of the generated code and support traceability between a model and generated code,	
	A	Clear the <b>Block reduction</b> parameter on the <b>Optimization</b> pane of the Configuration Parameters dialog box.
Notes	Selecting <b>Block reduction</b> might optimize blocks out of the code generated for a model. This results in requirements without associated code and violates traceability objectives.	
Rationale	A	Support unambiguous presentation of generated code.
	A	Support traceability between a model and generated code.
Model Advisor Checks	<b>By Task &gt; Modeling Standards for DO-178C/DO-331 &gt; “Check safety-related optimization settings”</b>	
References	<ul style="list-style-type: none"> <li>• IEC 61508-3, Clauses 7.4.7.2, 7.4.8.3, and 7.7.2.8 which require to demonstrate that no unintended functionality has been introduced</li> <li>• DO-331, Section MB.6.3.4.e ‘Source code is traceable to low-level requirements’</li> </ul>	
See Also	“Block reduction” in the Simulink documentation	
Last Changed	R2012b	

## hisl\_0048: Configuration Parameters > Optimization > Application lifespan (days)

<b>ID: Title</b>	<b>hisl_0048: Configuration Parameters &gt; Optimization &gt; Application lifespan (days)</b>	
Description	To support the robustness of systems that run continuously, in the Configuration Parameters dialog box, on the <b>Optimization</b> pane:	
	A	Set <b>Application lifespan (days)</b> to inf.
Notes	Embedded applications might run continuously. Do not assume a limited lifespan for timers and counters. . When you set <b>Application lifespan (days)</b> to inf, the simulation time is less than the application lifespan.	
Rationale	A	Support robustness of systems that run continuously.
Model Advisor Checks	<b>By Task &gt; Modeling Standards for DO-178C/DO-331 &gt; “Check safety-related optimization settings”</b>	
References	<ul style="list-style-type: none"> <li>• IEC 61508-3, Table A.4 (3) 'Defensive Programming'</li> <li>• ISO 26262-6, Table 1 (d) 'Use of defensive implementation techniques'</li> <li>• DO-331, Section MB.6.3.1.g 'Algorithms are accurate'</li> <li>• DO-331, Section MB.6.3.2.g 'Algorithms are accurate'</li> </ul>	
See Also	<ul style="list-style-type: none"> <li>• “Application lifespan (days)” in the Simulink documentation</li> <li>• “hisl_0040: Configuration Parameters &gt; Solver &gt; Simulation time” on page 3-3</li> </ul>	
Last Changed	R2012b	

## hisl\_0051: Configuration Parameters > Optimization > Signals and Parameters > Loop unrolling threshold

ID: Title	<b>hisl_0051: Configuration Parameters &gt; Optimization &gt; Signals and Parameters &gt; Loop unrolling threshold</b>	
Description	To support unambiguous code, set the minimum signal or parameter width for generating a for loop. In the Configuration Parameters dialog box, on the <b>Optimization &gt; Signals and Parameters</b> pane,	
	A	Set <b>Loop unrolling threshold</b> to 2 or greater.
	B	If <b>Pack Boolean data into bitfields</b> is selected, set <b>Bitfield declarator type specifier</b> to <code>uint_T</code> .
Notes	The <b>Loop unrolling threshold</b> parameter specifies the array size at which the code generator begins to use a for loop, instead of separate assignment statements, to assign values to the elements of a signal or parameter array. The default value is 5.	
Rationale	A	Support unambiguous generated code.
References	<ul style="list-style-type: none"> <li>• IEC 61508-3, Table A.3 (3) 'Language Subset'</li> <li>• ISO 26262-6, Table 1 (b) 'Use of language subsets'</li> <li>• MISRA-C:2004, Rule 6.4</li> </ul>	
See Also	"Loop unrolling threshold" in the Simulink documentation	
Last Changed	R2012b	

## hisl\_0052: Configuration Parameters > Optimization > Data initialization

<b>ID: Title</b>	<b>hisl_0052: Configuration Parameters &gt; Optimization &gt; Data initialization</b>	
Description	To support complete definition of data and initialize internal and external data to zero, in the Configuration Parameters dialog box, on the <b>Optimization</b> pane,	
	A	Clear <b>Remove root level I/O zero initialization</b> .
	B	Clear <b>Remove internal data zero initialization</b> .
Note	Explicitly initialize all variables. If the run-time environment of the target system provides mechanisms to initialize all I/O and state variables, consider using the initialization of the target as an alternative to the suggested settings.	
Rationale	A, B	Support fully defined data in generated code.
Model Advisor Checks	<b>By Task &gt; Modeling Standards for DO-178C/DO-331 &gt; “Check safety-related optimization settings”</b>	
References	<ul style="list-style-type: none"> <li>• IEC 61508-3, Table A.4 (3) 'Defensive Programming'</li> <li>• ISO 26262-6, Table 1 (d) 'Use of defensive implementation techniques'</li> <li>• MISRA-C:2004, Rule 9.1</li> <li>• DO-331, Section MB.6.3.3.b 'Software architecture is consistent'</li> </ul>	
See Also	Information about the following parameters in the Simulink documentation: <ul style="list-style-type: none"> <li>• “Remove root level I/O zero initialization”</li> <li>• “Remove internal data zero initialization”</li> </ul>	
Last Changed	R2012b	

### hisl\_0053: Configuration Parameters > Optimization > Remove code from floating-point to integer conversions that wraps out-of-range values

<b>ID: Title</b>	<b>hisl_0053: Configuration Parameters &gt; Optimization &gt; Remove code from floating-point to integer conversions that wraps out-of-range values</b>	
Description	To support verifiable code, In the Configuration Parameters dialog box, on the <b>Optimization</b> pane,	
	A	Consider selecting <b>Remove code from floating-point to integer conversions that wraps out-of-range values</b> .
Notes	Avoid overflows as opposed to handling them with wrapper code. For blocks that have the parameter <b>Saturate on overflow</b> cleared, clearing <b>Remove code from floating-point to integer conversions that wraps out-of-range values</b> might add code that wraps out of range values, resulting in unreachable code that cannot be tested.	
Rationale	A	Support generation of code that can be verified.
Model Advisor Checks	<b>By Task &gt; Modeling Standards for DO-178C/DO-331 &gt; “Check safety-related optimization settings”</b>	
References	<ul style="list-style-type: none"> <li>• IEC 61508-3, Table A.4 (3) 'Defensive Programming'</li> <li>• ISO 26262-6, Table 1 (d) 'Use of defensive implementation techniques'</li> <li>• MISRA-C:2004, Rule 14.1</li> <li>• DO-331, Section MB.6.3.1.g 'Algorithms are accurate'</li> <li>• DO-331, Section MB.6.3.2.g 'Algorithms are accurate'</li> </ul>	
See Also	“Remove code from floating-point to integer conversions that wraps out-of-range values” in the Simulink documentation	
Last Changed	R2012b	

## hisl\_0054: Configuration Parameters > Optimization > Remove code that protects against division arithmetic exceptions

<b>ID: Title</b>	<b>hisl_0054: Configuration Parameters &gt; Optimization &gt; Remove code that protects against division arithmetic exceptions</b>	
Description	To support the robustness of the operations, in the Configuration Parameters dialog box, on the <b>Optimization</b> pane,	
	A	Clear <b>Remove code that protects against division arithmetic exceptions</b> .
Note	Avoid division-by-zero exceptions. If you clear <b>Remove code that protects against division arithmetic exceptions</b> , the code generator produces code that guards against division by zero for fixed-point data.	
Rationale	A	Protect against divide-by-zero exceptions for fixed-point code.
Model Advisor Checks	<b>By Task &gt; Modeling Standards for DO-178C/DO-331 &gt; “Check safety-related optimization settings”</b>	
References	<ul style="list-style-type: none"> <li>• IEC 61508-3, Table A.3 (3) 'Language Subset' IEC 61508-3 Table A.4 (3) 'Defensive Programming'</li> <li>• ISO 26262-6, Table 1(b) 'Use of language subsets' ISO 26262-6, Table 1(d) 'Use of defensive implementation techniques'</li> <li>• MISRA-C:2004, Rule 21.1</li> <li>• DO-331, Section MB.6.3.1.g 'Algorithms are accurate' DO-331, Section MB.6.3.2.g 'Algorithms are accurate'</li> </ul>	
See Also	“Remove code that protects against division arithmetic exceptions” in the Simulink documentation	
Last Changed	R2012b	

## hisl\_0055: Prioritization of code generation objectives for high-integrity systems

ID: Title	<b>hisl_0055: Prioritized configuration objectives for high-integrity systems</b>	
Description	Prioritize objectives for high-integrity systems using the Code Generation Advisor by:	
	A	Assigning the highest priority to the safety precaution objectives (Safety Precaution and Traceability)
	B	Configuring the Code Generation Advisor to run before generating code by setting <b>Check model before generating code</b> to On (proceed with warnings) or On (stop for warnings).
Notes	<p>Model configuration parameters provide control over many aspects of generated code. The prioritization of objectives specifies how configuration parameters are set when conflicts between objectives occur.</p> <p>Including the ROM, RAM, and Execution efficiency objectives with a lower priority in the list enables efficiency optimizations that do not conflict with Safety precautions and Traceability in the active configuration.</p> <p>Review the resulting parameter configurations to verify that safety requirements are met.</p>	
Rationale	A, B	When you use the Code Generation Advisor, configuration parameters conform to the objectives that you want and they are consistently enforced.
References	<ul style="list-style-type: none"> <li>• DO-331, Section MB.6.3.4.e 'Source code is traceable to low-level requirements'</li> <li>• IEC61508–3, Table A.3 (3) 'Language Subset'</li> <li>• IEC 61508–3, Table A.4 (3) 'Defensive Programing'</li> <li>• ISO 26262–6, Table 1(b) 'Use of language subsets'</li> <li>• ISO 26262–6, Table 1(d) 'Use of defensive implementation techniques'</li> </ul>	
See also	<ul style="list-style-type: none"> <li>• “Set Objectives — Code Generation Advisor Dialog Box”</li> <li>• “Manage a Configuration Set”</li> <li>• “cgsl_0301: Prioritization of code generation objectives for code efficiency”</li> </ul>	
Last Changed	R2012b	



# Stateflow Chart Considerations

---

- “Chart Properties” on page 4-2
- “Chart Architecture” on page 4-11

# Chart Properties

In this section...
“hisf_0001: Mealy and Moore semantics” on page 4-3
“hisf_0002: User-specified state/transition execution order” on page 4-5
“hisf_0009: Strong data typing (Simulink and Stateflow boundary)” on page 4-7
“hisf_0011: Stateflow debugging settings” on page 4-9

## hisf\_0001: Mealy and Moore semantics

ID: Title	hisf_0001: Mealy and Moore semantics	
Description	To create Stateflow charts that implement a subset of Stateflow semantics,	
	A	In the Chart properties dialog box, set <b>State Machine Type</b> to Mealy.
	B	Apply consistent settings to the Stateflow charts in a model.
Note	<p>Setting <b>State Machine Type</b> restricts the Stateflow semantics to pure Mealy or Moore semantics. Mealy and Moore charts might be easier to understand and use in high-integrity applications.</p> <p>In Mealy charts, actions are associated with transitions. In the Moore charts, actions are associated with states.</p> <p>At compile time, the Stateflow software verifies that the chart semantics comply with the formal definitions and rules of the selected type of state machine. If the chart semantics are not in compliance, the software provides a diagnostic message.</p>	
Rationale	A, B	Promote a clear modeling style.
Model Advisor Checks	<ul style="list-style-type: none"> <li>• <b>By Task &gt; Modeling Standards for DO-178C/DO-331 &gt; “Check state machine type of Stateflow charts”</b></li> <li>• <b>By Task &gt; Modeling Standards for IEC 61508 &gt; “Check state machine type of Stateflow charts”</b></li> <li>• <b>By Task &gt; Modeling Standards for ISO 26262 &gt; “Check state machine type of Stateflow charts”</b></li> </ul>	
References	<ul style="list-style-type: none"> <li>• IEC 61508-3, Table A.7 (2) ‘Simulation/modeling’</li> <li>• ISO 26262-6, Table 1 (b) ‘Use of language subsets’</li> <li>• DO-331, Section MB.6.3.1.b ‘High-level requirements are accurate and consistent’</li> <li>• DO-331, Section MB.6.3.1.e ‘High-level requirements conform to standards’</li> <li>• DO-331, Section MB.6.3.2.b ‘Low-level requirements are accurate and consistent’</li> <li>• DO-331, Section MB.6.3.2.e ‘Low-level requirements conform to standards’</li> </ul>	

<b>ID: Title</b>	<b>hisf_0001: Mealy and Moore semantics</b>
	DO-331, Section MB.6.3.3.b 'Software architecture is consistent' DO-331, Section MB.6.3.3.e 'Software architecture conform to standards'
See Also	"Creating Mealy and Moore Charts" in the Stateflow documentation
Last Changed	R2012b

## hisf\_0002: User-specified state/transition execution order

ID: Title	hisf_0002: User-specified state/transition execution order	
Description	Do the following to explicitly set the execution order for active states and valid transitions in Stateflow charts:	
	A	In the Chart Properties dialog box, select <b>User specified state/transition execution order</b> .
	B	In the Stateflow Editor <b>View</b> menu, select <b>Show Transition Execution Order</b> .
	C	Set default transition to evaluate last.
Note	<p>Selecting <b>User specified state/transition execution order</b> restricts the dependency of a Stateflow chart semantics on the geometric position of parallel states and transitions.</p> <p>Specifying the execution order of states and transitions allows you to enforce determinism in the search order for active states and valid transitions. You have control of the order in which parallel states are executed and transitions originating from a source are tested for execution. If you do not explicitly set the execution order, the Stateflow software determines the execution order following a deterministic algorithm.</p> <p>Selecting <b>Show Transition Execution Order</b> displays the transition testing order.</p>	
Rationale	A, B, C	Promote an unambiguous modeling style.
Model Advisor Checks	<ul style="list-style-type: none"> <li>• <b>By Task &gt; Modeling Standards for DO-178C/DO-331 &gt; “Check Stateflow charts for ordering of states and transitions”</b></li> <li>• <b>By Task &gt; Modeling Standards for IEC 61508 &gt; “Check usage of Stateflow constructs”</b></li> <li>• <b>By Task &gt; Modeling Standards for ISO 26262 &gt; “Check usage of Stateflow constructs”</b></li> </ul>	

<b>ID: Title</b>	<b>hisf_0002: User-specified state/transition execution order</b>
References	<p>This guideline supports adhering to:</p> <ul style="list-style-type: none"> <li>• IEC 61508-3, Table A.3 (3) 'Language subset'</li> <li>• ISO 26262-6, Table 1 (b) 'Use of language subsets' ISO 26262-6, Table 1 (f) 'Use of unambiguous graphical representation'</li> <li>• DO-331, Section MB.6.3.3.b 'Software architecture is consistent' DO-331, Section MB.6.3.3.e 'Software architecture conform to standards'</li> </ul>
See Also	<p>The following topics in the Stateflow documentation</p> <ul style="list-style-type: none"> <li>• "Transition Testing Order in Multilevel State Hierarchy"</li> <li>• "Execution Order for Parallel States"</li> </ul>
Last Changed	R2012b

## hisf\_0009: Strong data typing (Simulink and Stateflow boundary)

ID: Title	hisf_0009: Strong data typing (Simulink and Stateflow boundary)	
Description	To support strong data typing between Simulink and Stateflow ,	
	A	Select <b>Use Strong Data Typing with Simulink I/O</b> .
Notes	<p>By default, input to and output from Stateflow charts are of type double. To interface directly with Simulink signals of data types other than double, select <b>Use Strong Data Typing with Simulink I/O</b>. In this mode, data types between the Simulink and Stateflow boundary are strongly typed, and the Simulink software does not treat the data types as double. The Stateflow chart accepts input signals of any data type supported by the Simulink software, provided that the type of the input signal matches the type of the corresponding Stateflow input data object. Otherwise, the software reports a type mismatch error.</p>	
Rationale	A	Support strongly typed code.
Model Advisor Checks	<ul style="list-style-type: none"> <li>• <b>By Task &gt; Modeling Standards for IEC 61508 &gt; “Check usage of Stateflow constructs”</b></li> <li>• <b>By Task &gt; Modeling Standards for ISO 26262 &gt; “Check usage of Stateflow constructs”</b></li> </ul>	
References	<ul style="list-style-type: none"> <li>• IEC 61508-3, Table A.3 (2) ‘Strongly typed programming language’</li> <li>• ISO 26262-6, Table 1 (c) ‘Enforcement of strong typing’</li> <li>• DO-331, Section MB.6.3.1.b ‘High-level requirements are accurate and consistent’</li> <li>• DO-331, Section MB.6.3.1.e ‘High-level requirements conform to standards’</li> <li>• DO-331, Section MB.6.3.1.g ‘Algorithms are accurate’</li> <li>• DO-331, Section MB.6.3.2.b ‘Low-level requirements are accurate and consistent’</li> <li>• DO-331, Section MB.6.3.2.e ‘Low-level requirements conform to standards’</li> <li>• DO-331, Section MB.6.3.2.g ‘Algorithms are accurate’</li> </ul>	

<b>ID: Title</b>	<b>hisf_0009: Strong data typing (Simulink and Stateflow boundary)</b>
	<ul style="list-style-type: none"><li>• MISRA-C:2004, Rules 10.1, 10.2, 10.3 and 10.4</li></ul>
Last Changed	R2012b



## hisf\_0011: Stateflow debugging settings

ID: Title	hisf_0011: Stateflow debugging settings	
Description	To protect against unreachable code and indeterminate execution time,	
	A	Select the following run-time diagnostics: <ul style="list-style-type: none"> <li>• In the Configuration Parameters dialog box, on the <b>Simulation Target</b> pane, select:               <ul style="list-style-type: none"> <li><b>Enable debugging/animation</b></li> <li><b>Enable overflow detection (with debugging)</b></li> </ul> </li> <li>• In the Stateflow Debugging window, select               <ul style="list-style-type: none"> <li><b>State Inconsistency</b></li> <li><b>Transition Conflict</b></li> <li><b>Detect Cycles</b></li> <li><b>Data Range</b></li> </ul> </li> </ul>
	B	For each truth table in the model, in the <b>Settings</b> menu of the Truth Table Editor, set the following parameters to Error: <ul style="list-style-type: none"> <li><b>Underspecified</b></li> <li><b>Overspecified</b></li> </ul>
Notes	Run-time diagnostics are only triggered during simulation. If the error condition is not reached during simulation, the error message is not triggered for code generation.	
Rationale	A, B	Protect against unreachable code and unpredictable execution time.
Model Advisor Checks	<ul style="list-style-type: none"> <li>• <b>By Task &gt; Modeling Standards for DO-178C/DO-331 &gt; “Check Stateflow debugging settings”</b></li> <li>• <b>By Task &gt; Modeling Standards for IEC 61508 &gt; “Check usage of Stateflow constructs”</b></li> <li>• <b>By Task &gt; Modeling Standards for ISO 26262 &gt; “Check usage of Stateflow constructs”</b></li> </ul>	

<b>ID: Title</b>	<b>hisf_0011: Stateflow debugging settings</b>
References	<ul style="list-style-type: none"><li>• IEC 61508-3, Table A.7 (2) 'Simulation/modeling'</li><li>• ISO 26262 Table 1 (d) 'Use of defensive implementation techniques'</li><li>• DO-331, Section MB.6.3.1.b 'High-level requirements are accurate and consistent' DO-331, Section MB.6.3.1.e 'High-level requirements conform to standards'</li><li>• DO-331, Section MB.6.3.2.b 'Low-level requirements are accurate and consistent' DO-331, Section MB.6.3.2.e 'Low-level requirements conform to standards'</li></ul>
Last Changed	R2012b

## Chart Architecture

**In this section...**

“hisf\_0003: Usage of bitwise operations” on page 4-12

“hisf\_0004: Usage of recursive behavior” on page 4-13

“hisf\_0007: Usage of junction conditions (maintaining mutual exclusion)” on page 4-15

“hisf\_0010: Usage of transition paths (looping out of parent of source and destination objects)” on page 4-16

“hisf\_0012: Chart comments” on page 4-18

“hisf\_0013: Usage of transition paths (crossing parallel state boundaries)” on page 4-19

“hisf\_0014: Usage of transition paths (passing through states)” on page 4-21

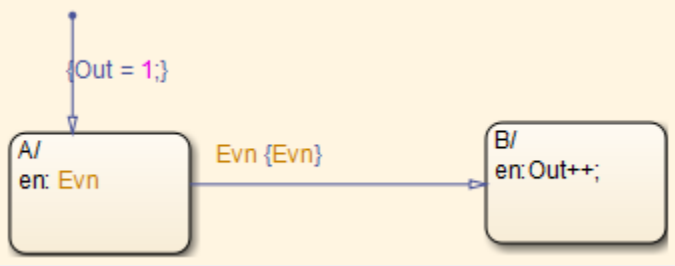
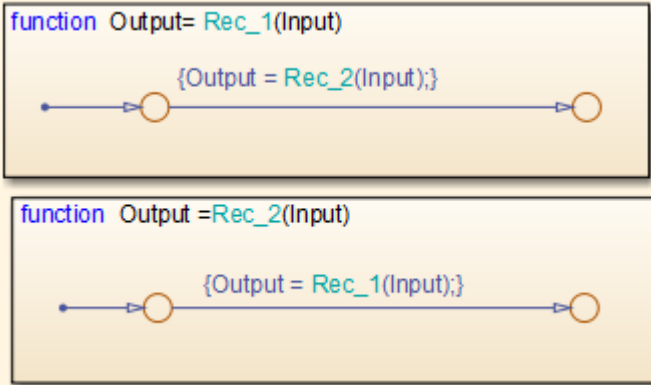
“hisf\_0015: Strong data typing (casting variables and parameters in expressions)” on page 4-22

## hisf\_0003: Usage of bitwise operations

ID: Title	hisf_0003: Usage of bitwise operations	
Description	When using bitwise operations in Stateflow blocks,	
	A	Avoid signed integer data types as operands to the bitwise operations.
Notes	Normally, bitwise operations are not meaningful on signed integers. Undesired behavior can occur. For example, a shift operation might move the sign bit into the number, or a numeric bit into the sign bit.	
Rationale	A	Promote unambiguous modeling style.
Model Advisor Checks	<b>By Task &gt; Modeling Standards for MAAB &gt; Stateflow &gt; “Check for bitwise operations in Stateflow charts”</b>	
References	<ul style="list-style-type: none"> <li>• IEC 61508-3, Table A.3 (3) 'Language subset'</li> <li>• IEC 61508-3, Table A.3 (2) 'Strongly typed programming language'</li> <li>• ISO 26262-6, Table 1 (b) 'Use of language subsets'</li> <li>• ISO 26262-6, Table 1 (c) 'Enforcement of strong typing'</li> <li>• DO-331, Section MB.6.3.1.b 'High-level requirements are accurate and consistent'</li> <li>• DO-331, Section MB.6.3.1.e 'High-level requirements conform to standards'</li> <li>• DO-331, Section 6.3.1.g 'Algorithms are accurate'</li> <li>• DO-331, Section MB.6.3.2.b 'Low-level requirements are accurate and consistent'</li> <li>• DO-331, Section MB.6.3.2.e 'Low-level requirements conform to standards'</li> <li>• DO-331, Section MB.6.3.2.g 'Algorithms are accurate'</li> <li>• MISRA-C:2004, Rule 12.7 'Bitwise operators shall not be applied to operands whose underlying type is signed'</li> </ul>	
See Also	“hisl_0019: Usage of Bitwise Operator block”	
Last Changed	R2012b	

## hisf\_0004: Usage of recursive behavior

ID: Title	hisf_0004: Usage of recursive behavior	
Description	To support bounded function call behavior, avoid using design patterns that include unbounded recursive behavior. Recursive behavior is bound if you do the following:	
	A	Use an explicit termination condition that is local to the recursive call.
	B	Make sure the termination condition is reached.
Notes	This rule only applies if a chart is a classic Stateflow chart. If “hisf_0001: Mealy and Moore semantics” on page 4-3 is followed, recursive behavior is prevented due to restrictions in the chart semantics. Additionally, you can detect the error during simulation by enabling the Stateflow diagnostic <b>Detect Cycles</b> .	
Rationale	A, B	Promote bounded function call behavior.
References	<ul style="list-style-type: none"> <li>• IEC 61508-3, Table B.1 (6) 'Limited use of recursion'</li> <li>• ISO 26262-6, Table 9 (j) 'No recursions'</li> <li>• DO-331, Section MB.6.3.1.b 'High-level requirements are accurate and consistent'</li> <li>• DO-331, Section MB.6.3.1.e 'High-level requirements conform to standards'</li> <li>• DO-331, Section MB.6.3.1.g 'Algorithms are accurate'</li> <li>• DO-331, Section MB.6.3.2.b 'Low-level requirements are accurate and consistent'</li> <li>• DO-331, Section MB.6.3.2.e 'Low-level requirements conform to standards'</li> <li>• DO-331, Section MB.6.3.2.g 'Algorithms are accurate'</li> <li>• MISRA-C:2004, Rule 16.2</li> </ul>	
Last Changed	R2012b	

ID: Title	hisf_0004: Usage of recursive behavior
Examples	<p data-bbox="397 302 1273 361">There are multiple patterns in Stateflow that can result in unbounded recursion.</p> <div data-bbox="402 390 1074 656">  <pre> stateDiagram-v2     state A {         entry: Evn         Out = 1;     }     state B {         entry: Out++;     }     A --&gt; B: Evn {Evn}             </pre> </div> <p data-bbox="397 682 698 708"><b>Recursive Function Calls</b></p> <p data-bbox="397 725 1328 947">When the default state A is entered, event Evn is broadcast in the entry action of A. Evn results in a recursive call of the interpretation algorithm. Since A is active, the outgoing transition of A is tested. Since the current event Evn matches the transition event (and because of the absence of condition) the condition action is executed, broadcasting Evn again. This results in a new call of the interpretation algorithm which repeats the same sequence of steps until stack overflow.</p> <div data-bbox="406 991 1055 1376">  <pre> function Output = Rec_1(Input)     {Output = Rec_2(Input);} function Output = Rec_2(Input)     {Output = Rec_1(Input);}             </pre> </div> <p data-bbox="397 1411 698 1437"><b>Recursive Function Calls</b></p>

## hisf\_0007: Usage of junction conditions (maintaining mutual exclusion)

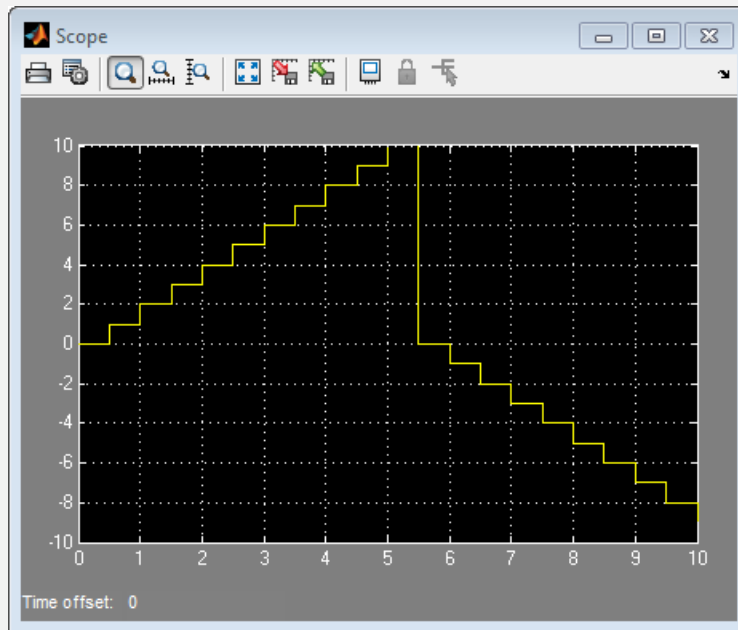
ID: Title	<b>hisf_0007: Usage of junction conditions (maintaining mutual exclusion)</b>	
Description	To enhance clarity and prevent the generation of unreachable code,	
	A	Make junction conditions mutually exclusive.
Notes	You can use this guideline to maintain a modeling language subset in high-integrity projects.	
Rationale	A	Enhance clarity and prevent generation of unreachable code.
References	<ul style="list-style-type: none"> <li>• DO-331, Section MB.6.3.1.b 'High-level requirements are accurate and consistent'</li> <li>DO-331, Section MB.6.3.1.d 'High-level requirements are verifiable'</li> <li>DO-331, Section MB.6.3.1.e 'High-level requirements conform to standards'</li> <li>DO-331, Section MB.6.3.2.b 'Low-level requirements are accurate and consistent'</li> <li>DO-331, Section MB.6.3.2.d 'Low-level requirements are verifiable'</li> <li>DO-331, Section MB.6.3.2.e 'Low-level requirements conform to standards'</li> </ul>	
Last Changed	R2012b	

## hisf\_0010: Usage of transition paths (looping out of parent of source and destination objects)

ID: Title	hisf_0010: Usage of transition paths (looping out of parent of source and destination objects)			
Description	<p>Transitions that loop out of the parent of the source and destination objects are typically unintentional and cause the parent to deactivate.</p> <table border="1" data-bbox="388 505 1335 548"> <tr> <td data-bbox="388 505 468 548">A</td> <td data-bbox="474 505 1335 548">Avoid using these transitions.</td> </tr> </table>		A	Avoid using these transitions.
A	Avoid using these transitions.			
Notes	<p>You can use this guideline to maintain a modeling language subset in high-integrity projects.</p>			
Rationale	A	Promote a clear modeling style.		
References	<ul style="list-style-type: none"> <li>• DO-331, Section MB.6.3.1.b 'High-level requirements are accurate and consistent'</li> <li>DO-331, Section MB.6.3.1.e 'High-level requirements conform to standards'</li> <li>DO-331, Section MB.6.3.1.g 'Algorithms are accurate'</li> <li>DO-331, Section MB.6.3.2.b 'Low-level requirements are accurate and consistent'</li> <li>DO-331, Section MB.6.3.2.e 'Low-level requirements conform to standards'</li> <li>DO-331, Section MB.6.3.2.g 'Algorithms are accurate'</li> </ul>			
Last Changed	R2012b			
Examples	<p>The diagram illustrates a Stateflow chart with a parent state <code>A_Parent</code> and two sub-states, <code>A_sub_1</code> and <code>A_sub_2</code>. The parent state has an entry condition <code>en: Out = 0;</code>. <code>A_sub_1</code> has a do-while loop <code>du: Out++;</code> and <code>A_sub_2</code> has a do-while loop <code>du: Out--;</code>. A transition path loops from <code>A_sub_1</code> to <code>A_sub_2</code> with the guard <code>[Out &gt;= 10]</code>. This transition path loops out of the parent state, which is the guideline being discussed.</p>			



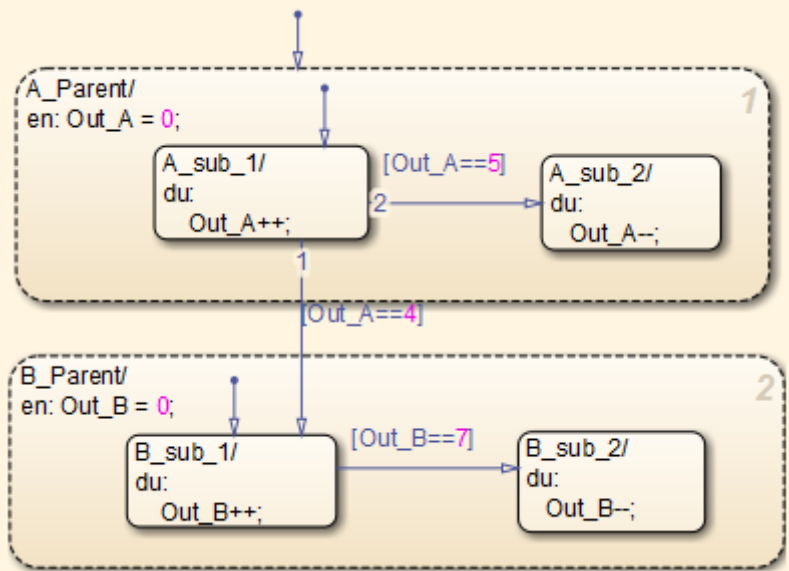
**ID: Title** hisf\_0010: Usage of transition paths (looping out of parent of source and destination objects)



## hisf\_0012: Chart comments

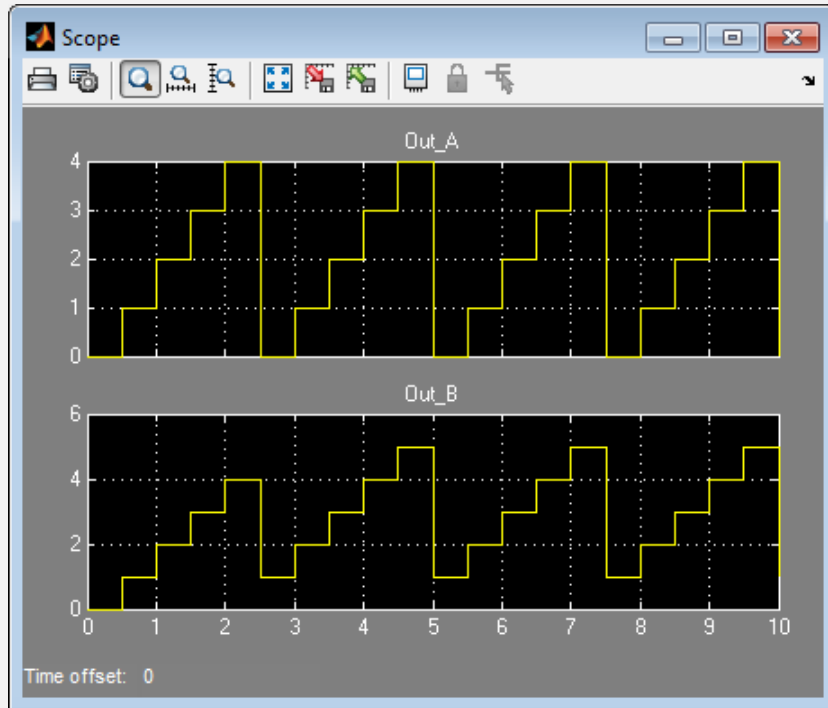
ID: Title	hisf_0012: Chart comments	
Description	To enhance traceability between generated code and a model,	
	A	Add comments to the following Stateflow objects: <ul style="list-style-type: none"> <li>• Transitions</li> </ul>
Rationale	A	Enhance traceability between generated code and the corresponding model.
References	<ul style="list-style-type: none"> <li>• DO-331, Section MB.6.3.4.e 'Source code is traceable to low-level requirements'</li> </ul>	
Last Changed	R2012b	

## hisf\_0013: Usage of transition paths (crossing parallel state boundaries)

ID: Title	hisf_0013: Usage of transition paths (crossing parallel state boundaries)	
Description	To avoid creating diagrams that are hard to understand,	
	A	Avoid creating transitions that cross from one parallel state to another.
Notes	You can use this guideline to maintain a modeling language subset in high-integrity projects.	
Rationale	A	Enhance model readability.
Last Changed	R2010b	
Example	<p>In the following example, when Out_A is 4, both parent states (A_Parent and B_Parent) are reentered. Reentering the parent states resets the values of Out_A and Out_B to zero.</p>  <pre> stateDiagram-v2     [*] --&gt; A_Parent     state A_Parent_1 {         state A_sub_1 {             du: Out_A++;         }         state A_sub_2 {             du: Out_A--;         }         A_sub_1 --&gt; A_sub_2 : [Out_A==5]     }     state B_Parent_2 {         state B_sub_1 {             du: Out_B++;         }         state B_sub_2 {             du: Out_B--;         }         B_sub_1 --&gt; B_sub_2 : [Out_B==7]     }     A_Parent_1 --&gt; B_Parent_2 : [Out_A==4]   </pre>	

**ID: Title**

**hisf\_0013: Usage of transition paths (crossing parallel state boundaries)**

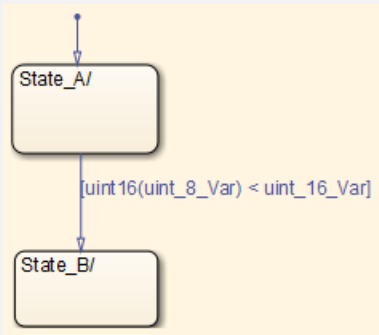
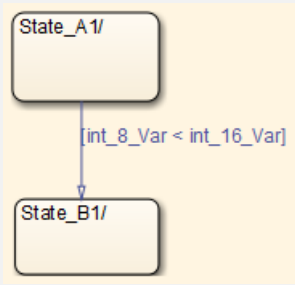


## hisf\_0014: Usage of transition paths (passing through states)

ID: Title	hisf_0014: Usage of transition paths (passing through states)	
Description	To avoid creating diagrams that are confusing and include transition paths without benefit,	
	A	Avoid transition paths that go into and out of a state without ending on a substate.
Notes	You can use this guideline to maintain a modeling language subset in high-integrity projects.	
Rationale	A	Enhance model readability.
References	<ul style="list-style-type: none"> <li>• DO-331, Section MB.6.3.1.b 'High-level requirements are accurate and consistent'</li> <li>DO-331, Section MB.6.3.1.e 'High-level requirements conform to standards'</li> <li>DO-331, Section MB.6.3.2.b 'Low-level requirements are accurate and consistent'</li> <li>DO-331, Section MB.6.3.2.e 'Low-level requirements conform to standards'</li> </ul>	
Last Changed	R2012b	
Examples	<pre> stateDiagram-v2     [*] --&gt; A     state A {         en: Out = 0;         du: Out++;     }     state B {         en: Out = 2;     }     state C {         en: Out = 10;     }     A --&gt; B : [Out &gt;= 3]     B --&gt; B : [Out &gt;= 5]     B --&gt; C : [Out &gt;= 5]   </pre>	

## hisf\_0015: Strong data typing (casting variables and parameters in expressions)

ID: Title	hisf_0015: Strong data typing (casting variables and parameters in expressions)	
Description	To facilitate strong data typing.	
	A	Explicitly type cast variables and parameters of different data types in: <ul style="list-style-type: none"> <li>• Transition evaluations</li> <li>• Transition assignments</li> <li>• Assignments in states</li> </ul>
Notes	The Stateflow software automatically casts variables of different type into the same data type. This guideline helps clarify data types of the intermediate variables.	
Rationale	A	Apply strong data typing.
References	<ul style="list-style-type: none"> <li>• DO-331, Section MB.6.3.1.b 'High-level requirements are accurate and consistent'</li> <li>DO-331, Section MB.6.3.1.e 'High-level requirements conform to standards'</li> <li>DO-331, Section MB.6.3.1.g 'Algorithms are accurate'</li> <li>DO-331, Section MB.6.3.2.b 'Low-level requirements are accurate and consistent'</li> <li>DO-331, Section MB.6.3.2.e 'Low-level requirements conform to standards'</li> <li>DO-331, Section MB.6.3.2.g 'Algorithms are accurate'</li> </ul>	

<b>ID: Title</b>	<b>hisf_0015: Strong data typing (casting variables and parameters in expressions)</b>
Last Changed	R2012b
Examples	 <p><b>Recommended</b></p>  <p><b>Not Recommended</b></p>





# MISRA-C:2004 Compliance Considerations

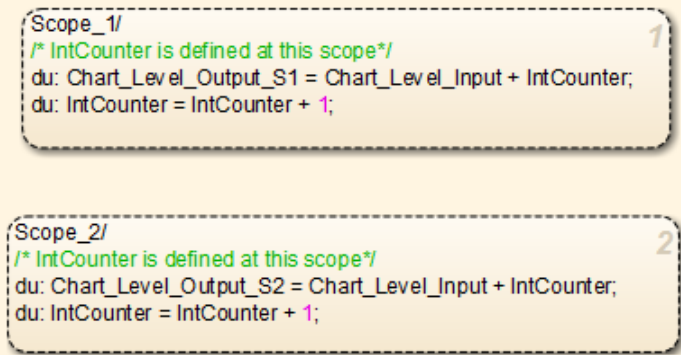
---

- “Modeling Style” on page 5-2
- “Block Usage” on page 5-16
- “Configuration Settings” on page 5-21
- “Stateflow Chart Considerations” on page 5-26
- “System Level” on page 5-36

## Modeling Style

In this section...
“hisl_0061: Unique identifiers for clarity” on page 5-3
“hisl_0062: Global variables in graphical functions” on page 5-5
“hisl_0063: Length of user-defined function names to improve MISRA-C:2004 compliance” on page 5-8
“hisl_0064: Length of user-defined type object names to improve MISRA-C:2004 compliance” on page 5-9
“hisl_0065: Length of signal and parameter names to improve MISRA-C:2004 compliance” on page 5-10
“hisl_0201: Define reserved keywords to improve MISRA-C:2004 compliance” on page 5-11
“hisl_0202: Use of data conversion blocks to improve MISRA-C:2004 compliance” on page 5-12

## hisl\_0061: Unique identifiers for clarity

ID: Title	hisl_0061: Unique identifiers for clarity	
Description	When developing a model,	
	A	Use unique identifiers for Simulink signals.
	B	Define unique identifiers across multiple scopes within a chart.
Notes	The code generator automatically resolves conflicts between identifiers so that symbols in the generated code are unique. The process is called name mangling.	
Rationale	A, B	Improve readability of a graphical model and mapping between identifiers in the model and generated code.
References	<ul style="list-style-type: none"> <li>• MISRA-C: 2004 5.6</li> <li>• DO-331, Section MB.6.3.2.b 'Low-level requirements are accurate and consistent'</li> <li>• IEC 61508–3, Table A.3 (3) 'Language subset' IEC 61508–3, Table A.4 (5) 'Design and coding standards'</li> <li>• ISO 26262-6, Table 1 (b) 'Use of language subsets' ISO 26262-6, Table 1 (e) 'Use of established design principles' ISO 26262-6, Table 1 (h) 'Use of naming conventions'</li> </ul>	
See Also	"Construction of Symbols" in the Simulink Coder™ documentation	
Last Changed	R2012b	
Examples	<p>In the following example, two states use identifier <i>IntCounter</i>.</p>  <pre> Scope_1/ /* IntCounter is defined at this scope*/ du: Chart_Level_Output_S1 = Chart_Level_Input + IntCounter; du: IntCounter = IntCounter + 1;  Scope_2/ /* IntCounter is defined at this scope*/ du: Chart_Level_Output_S2 = Chart_Level_Input + IntCounter; du: IntCounter = IntCounter + 1; </pre>	

**ID: Title** **hisl\_0061: Unique identifiers for clarity**

The identifier *IntCounter* is defined for two states, *Scope\_1* and *Scope\_2*.

Search: by Name Name:

Model Hierarchy

- Simulink Root
  - Base Workspace
    - ex\_mg\_hisl\_0061
      - Model Workspace
      - Code for ex\_mg\_hisl\_0061
      - Advice for ex\_mg\_hisl\_0061
      - Simulink Design Verifier
      - Configuration (Active)
      - Incorrect
        - Scope\_1

Contents of: ex\_mg\_hisl\_0061/Incorrect/Scope\_1

Column View: Stateflow [Show](#)

Name	Scope	Port	Resolve Sign
IntCounter	Local		<input type="checkbox"/>

**Not Recommended**

To clarify the model, create unique identifiers—for example, *IntCounter\_S1* and *IntCounter\_S2*—or define *IntCounter* at the parent level.

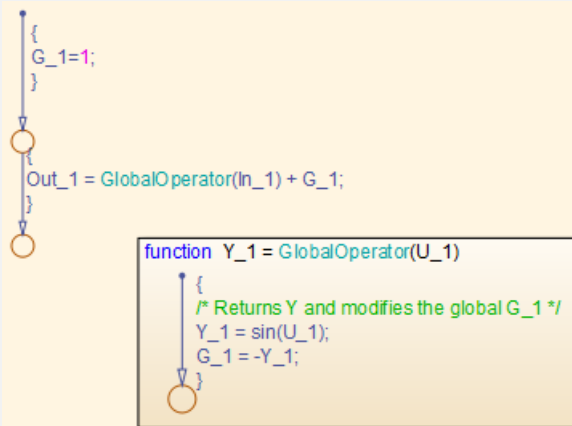
Column View: Stateflow [Show Details](#)

Name	Scope	Port	Resolve Signal
Chart_Level_Input	Local		<input type="checkbox"/>
Chart_Level_Ou...	Local		<input type="checkbox"/>
Chart_Level_Ou...	Local		<input type="checkbox"/>
IntCounter_Rec...	Local		<input type="checkbox"/>

**Recommended**

## hisl\_0062: Global variables in graphical functions

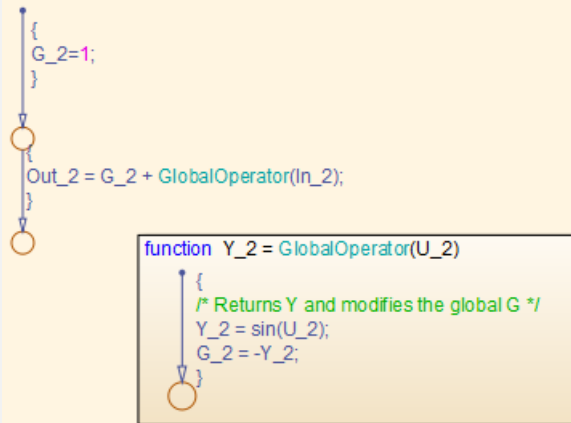
ID: Title	<b>hisl_0062: Global variables in graphical functions</b>	
Description	For data with a global scope used in a function	
	A	Do not use the data in the calling expression if a value is assigned to the data in that function.
Rationale	A	Enhance readability of a model by removing ambiguity in the values of global variables.
References	<ul style="list-style-type: none"> <li>• IEC 61508–3, Table A.3 (3) 'Language subset'</li> <li>• IEC 61508–3, Table A.4 (4) 'Modular approach'</li> <li>• IEC 61508–3, A.4 (5) 'Design and coding standards'</li> <li>• ISO 26262-6, Table 1 (b) 'Use of language subsets'</li> <li>• ISO 26262-6, Table 1 (f) 'Use of unambiguous graphical representation'</li> <li>• ISO 26262-6, Table 1 (h) 'Use of naming conventions'</li> <li>• DO-331, Section MB.6.3.2.g 'Algorithms are accurate'</li> <li>• MISRA-C: 2004 12.2</li> <li>• MISRA-C: 2004 12.4</li> </ul>	
Last Changed	R2012b	
Examples	<p>The basic expression is</p> $Y = f(U) + G$ <p>where in the function G is assigned a value. This modeling pattern is realized:</p>	
	<b>In a...</b>	<b>By Using...</b>
	Model	Data stores
	Stateflow chart	Functions
	MATLAB code	Subfunctions
	<p>In the following example, the function GlobalOperator overwrites the initial value of G_1,</p>	



```
static real_T GlobalOperator_1(real_T U_1)
{
    real_T Y_1;

    /* Rreturns Y and modifies the global G_1 */
    Y_1 = sin(U_1);
    DWork.G_1 = -Y_1;
    return Y_1;
}
```

In the next example, the function uses the initial value of 1 for global variable `G_2` before the chart tries to assign the variable another value. The generated code omits the assignment of `G_2` to negative `Y_2`. (If the chart uses `G_2` at a later point, the chart uses the updated value of negative `Y_2`.)



```
static real_T GlobalOperator_2(real_T U_2)
{
  real_T Y_2;

  /* Returns Y and modifies the global G */
  Y_2 =sin(U_2);
  DWork.G_2 = -Y_2;
  return Y_2;
}
```

Code generator behavior is consistent and predictable.

## hisl\_0063: Length of user-defined function names to improve MISRA-C:2004 compliance

ID: Title	<b>hisl_0063: Length of user-defined function names to improve MISRA-C:2004 compliance</b>	
Description	To improve MISRA-C:2004 compliance of the generated code when working with Subsystem blocks with the block parameter <b>Function name options</b> set to <code>User specified</code> :	
	A	Limit the length of data object names to 31 characters or fewer.
	For this rule, Subsystem blocks include standard Simulink Subsystems, MATLAB Function blocks, and Stateflow blocks.	
Rationale	A	Function names longer than 31 characters might result in a MISRA-C:2004 violation.
References	<ul style="list-style-type: none"> <li>• MISRA-C:2004 Rule 5.1</li> </ul>	
Prerequisites	"hisl_0060: Configuration parameters that improve MISRA-C:2004 compliance"	
Last Changed	R2011a	



## hisl\_0064: Length of user-defined type object names to improve MISRA-C:2004 compliance

ID: Title	hisl_0064: Length of user-defined type object names to improve MISRA-C:2004 compliance
Description	<p>To improve MISRA-C:2004 compliance of the generated code, limit the length of data object names to 31 characters or fewer for:</p> <ul style="list-style-type: none"> <li>• Simulink.AliasType</li> <li>• Simulink.NumericType</li> <li>• Simulink.Variant</li> <li>• Simulink.Bus</li> <li>• Simulink.BusElement</li> <li>• Simulink.IntEnumType</li> </ul>
Rationale	The length of the type definitions in the generated code name might result in a MISRA-C:2004 violation.
References	<ul style="list-style-type: none"> <li>• MISRA-C:2004 Rule 5.1</li> </ul>
Prerequisites	“hisl_0060: Configuration parameters that improve MISRA-C:2004 compliance”
Last Changed	R2011a

## hisl\_0065: Length of signal and parameter names to improve MISRA-C:2004 compliance

<b>ID: Title</b>	<b>hisl_0065: Length of signal and parameter names to improve MISRA-C:2004 compliance</b>
Description	To improve MISRA-C:2004 compliance of the generated code, limit the length of signal and parameter names to 31 characters or fewer when using any of the following storage classes: <ul style="list-style-type: none"><li>• Exported global</li><li>• Imported Extern</li><li>• Imported Extern Pointer</li><li>• Custom storage class</li></ul>
Rationale	The length of the signal and parameter name might result in a MISRA-C:2004 violation.
References	<ul style="list-style-type: none"><li>• MISRA-C:2004 Rule 5.1</li></ul>
Prerequisites	“hisl_0060: Configuration parameters that improve MISRA-C:2004 compliance”
Last Changed	R2011a

## hisl\_0201: Define reserved keywords to improve MISRA-C:2004 compliance

ID: Title	<b>hisl_0201: Define reserved keywords to improve MISRA-C:2004 compliance</b>	
Description	To improve MISRA-C: 2004 compliance of the generated code, define reserved keywords to prevent identifier clashes within the project namespace.	
	A	In the Configuration Parameters dialog box, on the <b>Simulation Target &gt; Symbols &gt; Reserved names</b> pane, define reserved identifiers.
	B	Use a consistent set of reserved identifiers for all models.
Notes	Simulink Coder checks models for standard C language key words. Expand the list of reserved identifiers to include project specific identifiers. Examples include target-specific clashes, standard and custom library clashes, and other identified clashes.	
Rationale	Improve MISRA-C:2004 compliance of the generated code.	
See Also	<ul style="list-style-type: none"> <li>• “Simulation Target Pane: Symbols” in the Simulink documentation</li> <li>• “Reserved Keywords” in the Simulink Coder documentation</li> <li>• “Reserved names” in the Simulink Coder documentation</li> </ul>	
References	MISRA-C:2004, Rule 20.2	
Last Changed	R2011b	

## hisl\_0202: Use of data conversion blocks to improve MISRA-C:2004 compliance

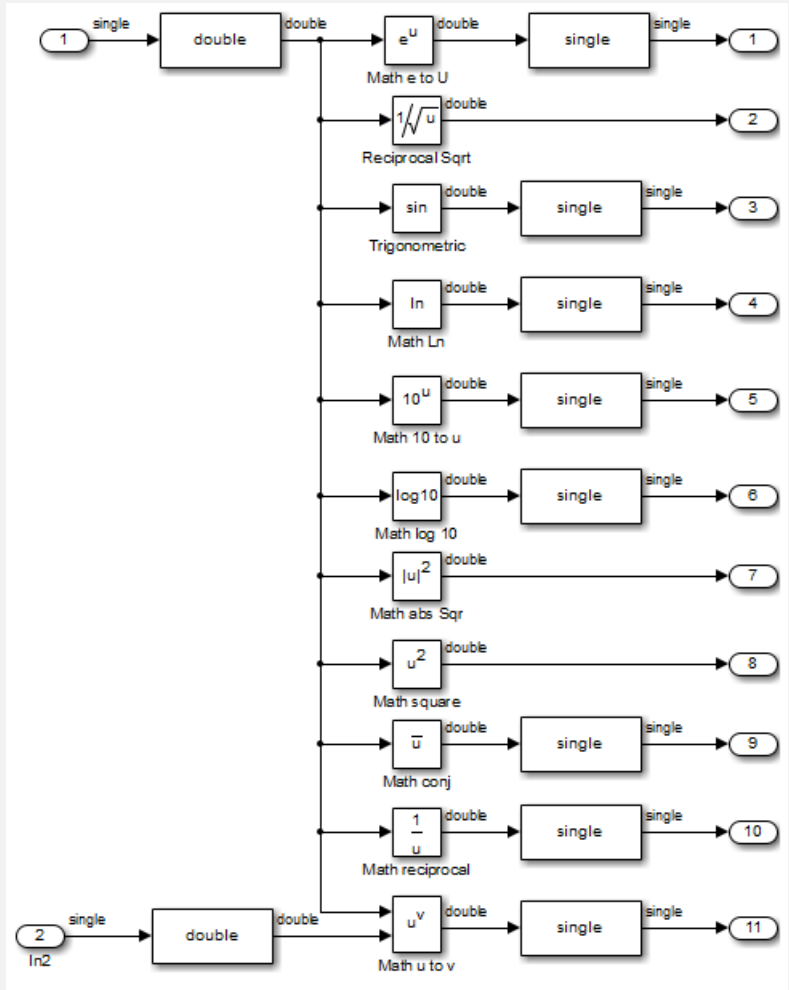
ID: Title	hisl_0202: Use of data conversion blocks to improve MISRA-C:2004 compliance
Description	<p>To improve MISRA-C:2004 compliance of generated code, insert a data type conversion block when using signals of type single (<code>real132_T</code>) as inputs to the following blocks:</p> <ul style="list-style-type: none"> <li>• Math</li> <li>• Trigonometry</li> <li>• Sqrt</li> </ul> <p>The data type conversion block to changes the data type to double (<code>real_T</code>)</p>
Rationale	Improve MISRA-C:2004 compliance of the generated code.
Notes	The function prototypes for many math functions require an input of type double. To accommodate the function prototype, you can add a data type conversion block. As an alternative to the data type conversion block, you could define a new function interface using the Target Function Library (TFL).

<b>ID: Title</b>	<b>hisl_0202: Use of data conversion blocks to improve MISRA-C:2004 compliance</b>
References	<ul style="list-style-type: none"><li>• MISRA-C: 2004 Rule 10.2</li></ul>

**ID: Title** hisl\_0202: Use of data conversion blocks to improve MISRA-C:2004 compliance

Last Changed R2012a

Example



**Not Recommended**

<b>ID: Title</b>	<b>hisl_0202: Use of data conversion blocks to improve MISRA-C:2004 compliance</b>
	Add a data type conversion block to the input signal of the block. Convert the output signal back to single.

## Block Usage

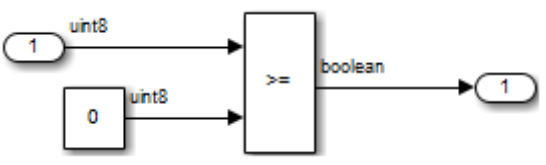
In this section...
“hisl_0020: Blocks not recommended for MISRA-C:2004 compliance” on page 5-16
“hisl_0101: Avoid invariant comparison operations to improve MISRA-C:2004 compliance” on page 5-17
“hisl_0102: Data type of loop control variables to improve MISRA-C:2004 compliance” on page 5-20

### hisl\_0020: Blocks not recommended for MISRA-C:2004 compliance

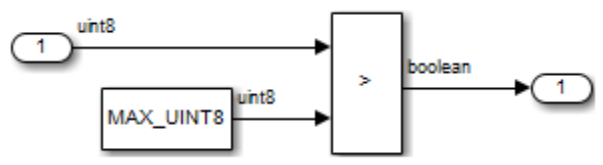
ID: Title	hisl_0020: Blocks not recommended for MISRA-C:2004 compliance	
Description	To improve MISRA-C:2004 compliance of the generated code,	
	A	Use only blocks that support code generation, as documented in the Simulink Block Support Table
	B	Do not use blocks that are listed as “Not recommended for production code” in the Simulink Block Support Table
Notes	<p>If you follow this and other modeling guidelines, you increase the likelihood of generating code that complies with the MISRA-C:2004 standard.</p> <p>Choose Simulink <b>Help &gt; Block Support Table &gt; Simulink</b> to view the block support table.</p> <p>Blocks with the footnote (4) in the Block Support Table are classified as “Not Recommended for production code.”</p>	
Rationale	A,B	Improve MISRA-C:2004 compliance of the generated code.
Model Advisor Checks	<b>By Product &gt; Embedded Coder &gt; “Check for blocks not recommended for MISRA-C:2004 compliance”</b>	
References	MISRA-C:2004	
Last Changed	R2011a	



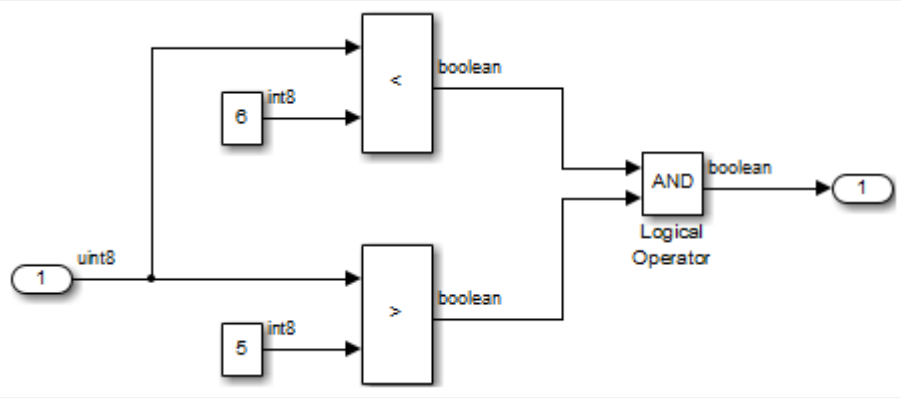
## hisl\_0101: Avoid invariant comparison operations to improve MISRA-C:2004 compliance

ID: Title	hisl_0101: Avoid invariant comparison operations to improve MISRA-C:2004 compliance
Description	<p>To improve MISRA-C:2004 compliance of generated code, avoid comparison operations with invariant results. Comparison operations are performed by the following blocks:</p> <ul style="list-style-type: none"> <li>• If</li> <li>• Logic</li> <li>• Relational Operator</li> <li>• Switch</li> <li>• Switch Case</li> <li>• Compare to Constant</li> </ul>
Rationale	Improve MISRA-C:2004 compliance of the generated code.
References	<ul style="list-style-type: none"> <li>• MISRA-C: 2004 Rule 13.7</li> <li>• MISRA-C: 2004 Rule 14.1</li> </ul>
Last Changed	R2012a
Example	<p>Invariant comparisons can occur in simple or compound comparison operations. In compound comparison operations, the individual components can be variable when the full calculation is invariant.</p> <p><b>Simple:</b> A uint8 is always greater then or equal to 0.</p>  <p><b>Simple:</b> A uint8 cannot have a value greater then 256</p>

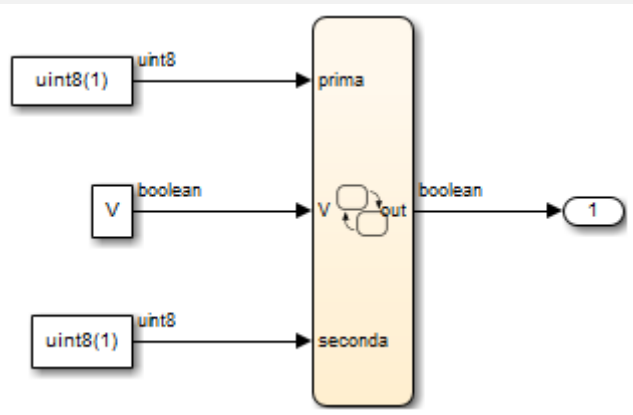
<b>ID: Title</b>	<b>hisl_0101: Avoid invariant comparison operations to improve MISRA-C:2004 compliance</b>
------------------	--

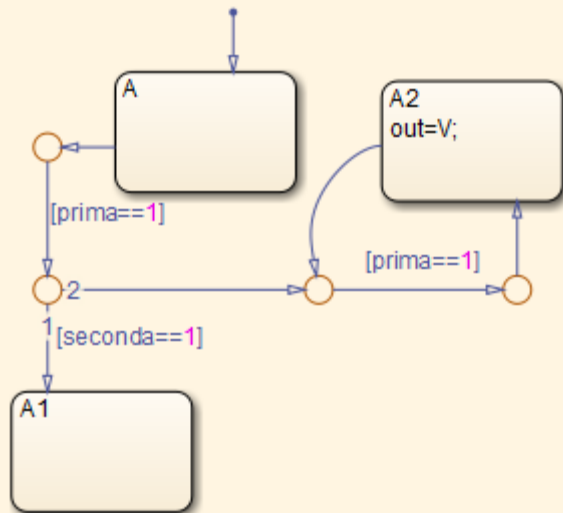


**Compound:** The comparison operations are mutually exclusive



**Stateflow:**



**ID: Title****hisl\_0101: Avoid invariant comparison operations to improve MISRA-C:2004 compliance**

## **hisl\_0102: Data type of loop control variables to improve MISRA-C:2004 compliance**

<b>ID: Title</b>	<b>hisl_0102: Data type of loop control variables to improve MISRA-C:2004 compliance</b>
Description	To improve MISRA-C:2004 compliance of generated code, use integer data type for variables that are used as loop control counter variables in: <ul style="list-style-type: none"><li>• For and while loops constructed in Stateflow and MATLAB.</li><li>• While Iterator and For Iterator blocks.</li></ul>
Rationale	Improve MISRA-C:2004 compliance of the generated code.
References	<ul style="list-style-type: none"><li>• MISRA-C: 2004 Rule 13.7</li></ul>
Last Changed	R2012a

## Configuration Settings

In this section...
“hisl_0060: Configuration parameters that improve MISRA-C:2004 compliance” on page 5-21
“hisl_0312: Specify target specific configuration parameters to improve MISRA-C:2004 compliance” on page 5-23
“hisl_0313: Selection of bitfield data types to improve MISRA-C:2004 compliance” on page 5-25

### hisl\_0060: Configuration parameters that improve MISRA-C:2004 compliance

ID: Title	hisl_0060: Configuration parameters that improve MISRA-C:2004 compliance																		
Description	To improve MISRA-C:2004 compliance of the generated code,																		
	A	Set the following model configuration parameters as specified: <table border="1" data-bbox="477 947 1326 1529"> <thead> <tr> <th>Pane / Configuration Parameter</th> <th>Value</th> </tr> </thead> <tbody> <tr> <td colspan="2"><b>Diagnostics &gt; Data Validity</b></td> </tr> <tr> <td>Model Verification block enabling</td> <td>Disable All</td> </tr> <tr> <td colspan="2"><b>Code Generation pane</b></td> </tr> <tr> <td>System target file</td> <td>ERT-based target</td> </tr> <tr> <td colspan="2"><b>Code Generation &gt; Interface pane</b></td> </tr> <tr> <td>Support: non-finite numbers</td> <td>Cleared (off)</td> </tr> <tr> <td>Support: continuous time</td> <td>Cleared (off)</td> </tr> <tr> <td>Support: non-inlined S-functions</td> <td>Cleared (off)</td> </tr> </tbody> </table>	Pane / Configuration Parameter	Value	<b>Diagnostics &gt; Data Validity</b>		Model Verification block enabling	Disable All	<b>Code Generation pane</b>		System target file	ERT-based target	<b>Code Generation &gt; Interface pane</b>		Support: non-finite numbers	Cleared (off)	Support: continuous time	Cleared (off)	Support: non-inlined S-functions
Pane / Configuration Parameter	Value																		
<b>Diagnostics &gt; Data Validity</b>																			
Model Verification block enabling	Disable All																		
<b>Code Generation pane</b>																			
System target file	ERT-based target																		
<b>Code Generation &gt; Interface pane</b>																			
Support: non-finite numbers	Cleared (off)																		
Support: continuous time	Cleared (off)																		
Support: non-inlined S-functions	Cleared (off)																		

<b>ID: Title</b>		<b>hisl_0060: Configuration parameters that improve MISRA-C:2004 compliance</b>	
		<b>MAT-file logging</b>	Cleared (off)
		<b>Code replacement library</b>	C89/C90 (ANSI)
		<b>Code Generation &gt; Code Style pane</b>	
		<b>Parenthesis level</b>	Maximum (Specify precedence with parentheses)
		<b>Code Generation &gt; Symbols pane</b>	
		<b>Maximum identifier length</b>	31
Note	If you follow this and other modeling guidelines, you increase the likelihood of generating code that complies with the MISRA-C:2004 standard.		
Rationale	A	Improve MISRA-C:2004 compliance of the generated code.	
Model Advisor Checks	<b>By Product &gt; Embedded Coder &gt; “Check configuration parameters for MISRA-C:2004 compliance”</b>		
References	<ul style="list-style-type: none"> <li>• MISRA-C:2004</li> </ul>		
Last Changed	R2011a		

## hisl\_0312: Specify target specific configuration parameters to improve MISRA-C:2004 compliance

ID: Title	<b>hisl_0312: Specify target specific configuration parameters to improve MISRA-C:2004 compliance</b>	
Description	To improve MISRA-C:2004 compliance of generated code, use a consistent set of model parameters. The parameters include, but are not limited to:	
	A	Explicitly setting model character encoding using the <code>slCharacterEncoding(encoding)</code> function.
	B	In the Configuration Parameters dialog box, explicitly selecting a <b>Hardware Implementation &gt; Embedded hardware (simulation and code generation) &gt; Signed integer division rounds to:</b> parameter.
	C	If complex numbers are not required, deselecting the <b>Code Generation &gt; Interface &gt; Software Environment &gt; complex numbers</b> parameter.
Notes	Base the selection of the integer division method on the target hardware and compiler. When available, in the Configuration Parameters dialog box, specify both of these parameters: <ul style="list-style-type: none"> <li>• <b>Hardware Implementation &gt; Embedded hardware (simulation and code generation) &gt; Device vendor</b></li> <li>• <b>Hardware Implementation &gt; Embedded hardware (simulation and code generation) &gt; Device type</b></li> </ul>	
Rationale	Improve MISRA-C:2004 compliance of the generated code.	
See Also	<ul style="list-style-type: none"> <li>• “Configure Emulation and Embedded Target Hardware” in the Simulink Coder documentation.</li> <li>• <code>slCharacterEncoding</code> in the Simulink documentation.</li> <li>• “hisl_0060: Configuration parameters that improve MISRA-C:2004 compliance”</li> </ul>	

<b>ID: Title</b>	<b>hisl_0312: Specify target specific configuration parameters to improve MISRA-C:2004 compliance</b>
References	<ul style="list-style-type: none"><li>• MISRA-C: 2004 Rule 3.2</li><li>• MISRA-C: 2004 Rule 3.3</li><li>• MISRA-C: 2004 Rule 5.7</li></ul>
Last Changed	R2012a



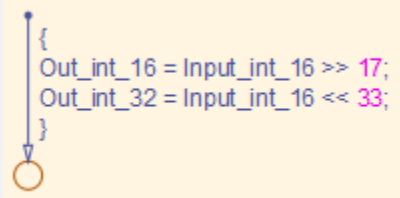
## hisl\_0313: Selection of bitfield data types to improve MISRA-C:2004 compliance

ID: Title	hisl_0313: Selection of bitfield data types to improve MISRA-C:2004 compliance
Description	To improve MISRA-C:2004 compliance of generated code when bitfields are used, in the Configuration Parameters dialog box, set <b>Optimization &gt; Signals and Parameters &gt; Code generation &gt; Bitfield declarator type specifier</b> to <code>uint_T</code> .
Rationale	Improve MISRA-C:2004 compliance of the generated code.
Notes	Set <b>Bitfield declarator type specifier</b> to <code>uint_T</code> if any of the following Optimization parameters are enabled: <ul style="list-style-type: none"> <li>• <b>Optimization &gt; Signals and Parameters &gt; Code generation &gt; Pack Boolean data into bitfields</b></li> <li>• <b>Optimization &gt; Stateflow &gt; Code generation &gt; Use bitsets for storing state configuration</b></li> <li>• <b>Optimization &gt; Stateflow &gt; Code generation &gt; Use bitsets for storing Boolean data</b></li> </ul>
See Also	<ul style="list-style-type: none"> <li>• “Optimization Pane: Signals and Parameters” in the Simulink documentation.</li> </ul>
References	<ul style="list-style-type: none"> <li>• MISRA-C: 2004 Rule 6.4</li> </ul>
Last Changed	R2012a

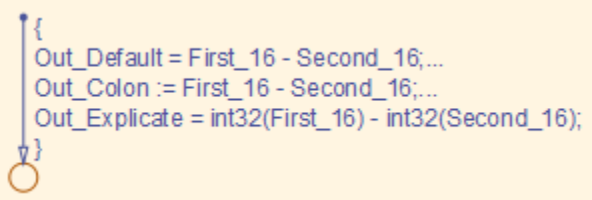
## Stateflow Chart Considerations

In this section...
“hisf_0064: Shift operations for Stateflow data to improve MISRA-C:2004 compliance” on page 5-27
“hisf_0065: Type cast operations in Stateflow to improve MISRA-C:2004 compliance” on page 5-28
“hisf_0211: Protect against use of unary operators in Stateflow Charts to improve MISRA-C:2004 compliance ” on page 5-30
“hisf_0212: Data type of Stateflow for loop control variables to improve MISRA-C: 2004 compliance ” on page 5-32
“hisf_0213: Protect against divide-by-zero calculations in Stateflow charts to improve MISRA-C: 2004 compliance” on page 5-33

## hisf\_0064: Shift operations for Stateflow data to improve MISRA-C:2004 compliance

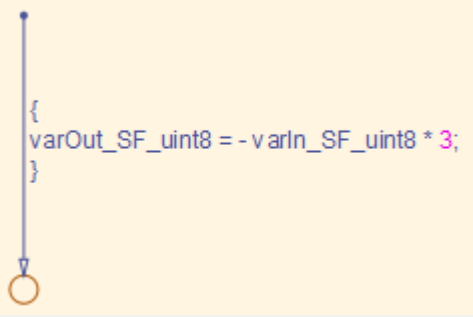
ID: Title	hisf_0064: Shift operations for Stateflow data to improve MISRA-C:2004 compliance	
Description	To improve MISRA-C:2004 compliance of the generated code with Stateflow bit-shifting operations, do not perform:	
	A	Right-shift operations greater than the bit-width of the input type
	B	Left-shift operations greater than the bit-width of the output type
Note	If you follow this and other modeling guidelines, you increase the likelihood of generating code that complies with the MISRA-C:2004 standard.	
Rationale	A,B	To avoid shift operations in the generated code that might be a MISRA-C:2004 violation.
References	<ul style="list-style-type: none"> <li>• MISRA-C:2004 Rule 12.7</li> </ul>	
Prerequisites	“hisf_0060: Configuration parameters that improve MISRA-C:2004 compliance”	
Last Changed	R2011a	
Example	<p>In the first equation, shifting 17 bits to the right pushes data stored in a 16-bit word out of range. The resulting output is zero. In the second equation, shifting the data 33 bits pushes data beyond the range of storage for a 32-bit word. Again, the resulting output is zero.</p>  <pre data-bbox="397 1083 795 1281"> {   Out_int_16 = Input_int_16 &gt;&gt; 17;   Out_int_32 = Input_int_16 &lt;&lt; 33; } </pre> <pre data-bbox="397 1315 1200 1506"> void stateflow_shift_passed_step(void) {   Out_int_16 = (int16 T) (Input_int_16 &gt;&gt; 17);   Out_int_32 = Input_int_16 &lt;&lt; 33; } </pre>	

## hisf\_0065: Type cast operations in Stateflow to improve MISRA-C:2004 compliance

ID: Title	hisf_0065: Type cast operations in Stateflow to improve MISRA-C:2004 compliance	
Description	To improve MISRA-C:2004 compliance of the generated code, protect against Stateflow casting integer and fixed-point calculations to wider data types than the input data types by:	
	A	Explicitly type casting the calculations
	B	Using the := notation in Stateflow
Note	If you follow this and other modeling guidelines, you increase the likelihood of generating code that complies with the MISRA-C:2004 standard.	
Rationale	A,B	To avoid shift operations in the generated code that might be a MISRA-C:2004 violation.
References	<ul style="list-style-type: none"> <li>• MISRA-C:2004 Rule 10.1</li> <li>• MISRA-C:2004 Rule 10.4</li> </ul>	
Prerequisites	"hisf_0060: Configuration parameters that improve MISRA-C:2004 compliance"	
Last Changed	R2011a	
Example	<p>The example shows the default behavior and both methods of controlling the casting (explicitly type casting and using the colon operator).</p>  <pre> {   Out_Default = First_16 - Second_16;...   Out_Colon := First_16 - Second_16;...   Out_Explicate = int32(First_16) - int32(Second_16); } </pre>	

<b>ID: Title</b>	<b>hisf_0065: Type cast operations in Stateflow to improve MISRA-C:2004 compliance</b>
	<pre>void stateflow_wide_shift_step(void) {     <u>Out_Default</u> = <u>First_16</u> - <u>Second_16</u>;     <u>Out_Colon</u> = (int32_T)<u>First_16</u> - (int32_T)<u>Second_16</u>;     <u>Out_Explicate</u> = (int32_T)<u>First_16</u> - (int32_T)<u>Second_16</u>; }</pre>

## hisf\_0211: Protect against use of unary operators in Stateflow Charts to improve MISRA-C:2004 compliance

ID: Title	<b>hisf_0211: Protect against use of unary operators in Stateflow Charts to improve MISRA-C:2004 compliance</b>	
Description	To improve MISRA-C:2004 compliance of the generated code: A Do not use unary minus operators on unsigned data types	
Note	The Stateflow action language does not restrict the use of unary minus operators on unsigned expressions.	
Rationale	A	Improve MISRA-C:2004 compliance of the generated code.
References	<ul style="list-style-type: none"> <li>MISRA-C:2004 Rule 12.9</li> </ul>	
Last Changed	R2011b	
Example	<p><b>Not Recommended:</b></p>  <pre data-bbox="402 1211 1193 1367"> /* Gateway: Chart */ /* During: Chart */ /* Transition: '&lt;S1&gt;:1' */ varOut_SF_uint8 = (uint8 T) (-varIn_SF_uint8 * 3); </pre> <p>Applying the unary minus operator to the unsigned integer results in a MISRA-C:2004 Rule 12.9 violation. The resulting output wraps around the maximum value of 256 (uint8). In this example, if the input variable</p>	

<b>ID: Title</b>	<b>hisf_0211: Protect against use of unary operators in Stateflow Charts to improve MISRA-C:2004 compliance</b>
	In_SF_uint8 equals 7, then the output variable varOut_uint8 equals $256 - (7 * 3)$ , or 235. The simulation and code generation values are in agreement.

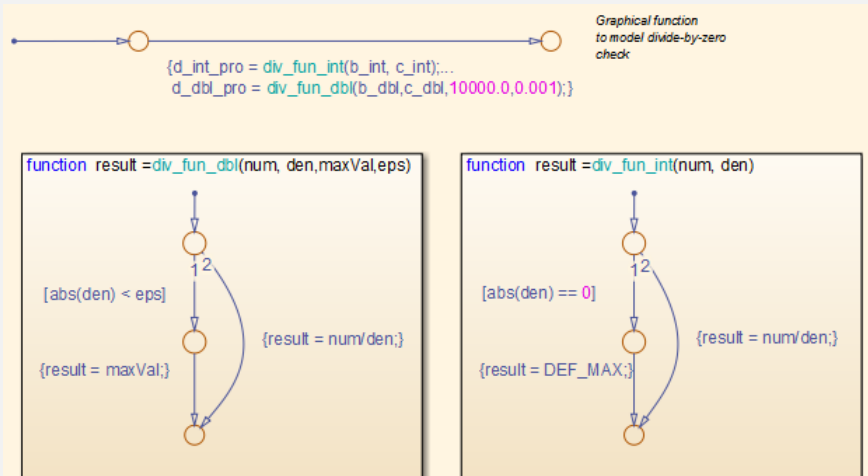
## **hisf\_0212: Data type of Stateflow for loop control variables to improve MISRA-C: 2004 compliance**

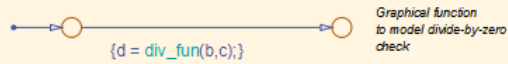
<b>ID: Title</b>	<b>hisf_0212: Data type of Stateflow for loop control variables to improve MISRA-C: 2004 compliance</b>	
Description	To improve MISRA-C:2004 compliance of the generated code:	
	A	Explicitly select an integer data type as the control variable in a Stateflow for loop
Note	The default data type in Simulink and Stateflow is double. Explicitly select an integer data type.	
Rationale	A	Improve MISRA-C:2004 compliance of the generated code
References	<ul style="list-style-type: none"> <li>• MISRA-C:2004 Rule 13.4</li> </ul>	
Last Changed	R2011b	



## hisf\_0213: Protect against divide-by-zero calculations in Stateflow charts to improve MISRA-C:2004 compliance

ID: Title	<b>hisf_0213: Protect against divide-by-zero calculations in Stateflow charts to improve MISRA-C:2004 compliance</b>	
Description	To improve MISRA-C:2004 compliance of the generated code for floating point and integer-based operations, do one of the following:	
	A	Perform static analysis of the model to prove that division by zero is not possible
	B	Provide run-time error checking in the generated C code by explicitly modeling the error checking in Stateflow
	C	Modify the code generation process using Code Replacement Libraries (CRLs) to protect against division by zero
	D	For integer-based operations, in the Configuration Parameters dialog box, on the <b>Optimization</b> pane, clear <b>Remove code that protects against division arithmetic exceptions</b>
Note	<p>Using run-time error checking introduces additional computational and memory overhead in the generated code. It is preferable to use static analysis tools to limit errors in the generated code. You can use Simulink Design Verifier™ or Polyspace® to perform the static analysis.</p> <p>If static analysis determines that sections of the code can have a division by zero, then add run-time protection into that section of the model (see example). Using a modified CRL or selecting the parameter <b>Remove code that protects against division arithmetic exceptions</b> protects division operations against divide-by-zero operations. However, this action does introduce additional computational and memory overhead.</p> <p>Use only one of the run-time protections (B, C or D) in a model. Using more than one option can result in redundant protection operations.</p>	
Rationale	A,B, C,D	Improve MISRA-C:2004 compliance of the generated code
References	<ul style="list-style-type: none"> <li>MISRA-C:2004 Rule 21.1</li> </ul>	

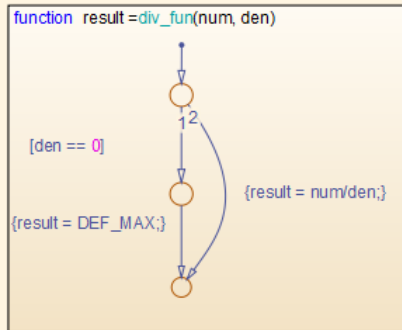
<b>ID: Title</b>	<b>hisf_0213: Protect against divide-by-zero calculations in Stateflow charts to improve MISRA-C: 2004 compliance</b>
See Also	<ul style="list-style-type: none"> <li>• “Introduction to Code Replacement Libraries”</li> <li>• “hisl_0002: Usage of Math Function blocks (remainder and reciprocal)”</li> <li>• “hisl_0005: Usage of Product blocks”</li> <li>• “hisl_0054: Configuration Parameters &gt; Optimization &gt; Remove code that protects against division arithmetic exceptions”</li> </ul>
Last Changed	R2011b
Example	<p>Run-time divide by zero protection can be realized using a graphical function. Unique functions should be provided for each data type.</p>  <p>Graphical function to model divide-by-zero check</p> <pre>{d_int_pro = div_fun_int(b_int, c_int);... d_dbl_pro = div_fun_dbl(b_dbl, c_dbl, 10000.0, 0.001);}</pre> <div style="display: flex; justify-content: space-around;"> <div data-bbox="412 841 816 1171"> <p>function result = div_fun_dbl(num, den, maxVal, eps)</p> <pre>[abs(den) &lt; eps] {result = maxVal;} {result = num/den;}</pre> </div> <div data-bbox="853 841 1253 1171"> <p>function result = div_fun_int(num, den)</p> <pre>[abs(den) == 0] {result = DEF_MAX;} {result = num/den;}</pre> </div> </div>

**ID: Title****hisf\_0213: Protect against divide-by-zero calculations in Stateflow charts to improve MISRA-C: 2004 compliance**

Graphical function  
to model divide-by-zero  
check

```
{d = div_fun(b,c);}
```

The diagram shows a graphical function call. It consists of two circular nodes connected by a horizontal line with arrows at both ends. Below the line is the code snippet `{d = div_fun(b,c);}`.



## System Level

In this section...
“hisl_0401: Encapsulation of code to improve MISRA-C:2004 compliance” on page 5-36
“hisl_0402: Use of custom #pragma to improve MISRA-C:2004 compliance” on page 5-37
“hisl_0403: Use of char data type improve MISRA-C:2004 compliance” on page 5-38

### hisl\_0401: Encapsulation of code to improve MISRA-C:2004 compliance

ID: Title	hisl_0401: Encapsulation of code to improve MISRA-C:2004 compliance
Description	To improve the MISRA-C:2004 compliance of the generated code, encapsulate manually inserted code. This code includes, but is not limited to, C, Fortran, and assembly code.
Rationale	Improve MISRA-C:2004 compliance of the generated code
See Also	<ul style="list-style-type: none"> <li>• “External Code Integration” in the Embedded Coder documentation.</li> <li>• “External Code Integration” in the Simulink Coder documentation.</li> </ul>
Notes	<p>Simulink provides multiple methods for integrating existing code. The user is responsible for encapsulating the generated code.</p> <p>Encapsulation can be defined as “the process of compartmentalizing the elements of an abstraction that constitute its structure and behavior; encapsulation serves to separate the contractual interface of an abstraction and its implementation” <sup>a</sup></p>
References	<ul style="list-style-type: none"> <li>• MISRA-C: 2004 Rule 2.1</li> </ul>
Last Changed	R2012a

<sup>a</sup>Booch, Grady, R. Maksimchuk, M. Engle, B. Young, J. Conallen, K. Houston. *Object-Oriented Analysis and Design with Applications*. 3rd ed. Boston, MA: Addison-Wesley Professional, 2007.

## hisl\_0402: Use of custom #pragma to improve MISRA-C:2004 compliance

ID: Title	hisl_0402: Use of custom #pragma to improve MISRA-C:2004 compliance	
Description	To improve the MISRA-C:2004 compliance of the generated code, document user defined pragma. In the documentation, include:	
	A	Memory range (start and stop address)
	B	Intended use
	C	Justification for using a pragma
Rationale	Improve MISRA-C:2004 compliance of the generated code	
See Also	<ul style="list-style-type: none"> <li>• “About Memory Sections” in the Embedded Coder documentation.</li> <li>• “Document Generated Code with Simulink Report Generator™” in the Simulink Coder documentation.</li> </ul>	
Notes	The Simulink Report Generator documents pragmas.	
References	<ul style="list-style-type: none"> <li>• MISRA-C: 2004 Rule 3.4</li> </ul>	
Last Changed	R2012a	

## **hisl\_0403: Use of char data type improve MISRA-C:2004 compliance**

<b>ID: Title</b>	<b>hisl_0403: Use of char data type to improve MISRA-C:2004 compliance</b>	
Description	To improve the MISRA-C:2004 compliance of the generated code with custom storage classes that use the Char data type, only use:	
	A	Plain char type for character values.
	B	Signed and unsigned char type for numeric values.
Rationale	Improve MISRA-C:2004 compliance of the generated code.	
See Also	<ul style="list-style-type: none"> <li>• “Custom Storage Classes” in the Embedded Coder documentation.</li> <li>• “About Memory Sections” in the Embedded Coder documentation.</li> <li>• “Document Generated Code with Simulink Report Generator” in the Simulink Coder documentation.</li> </ul>	
References	<ul style="list-style-type: none"> <li>• MISRA-C: 2004 Rule 6.1</li> <li>• MISRA-C: 2004 Rule 6.2</li> </ul>	
Last Changed	R2012a	